
**Regular Meeting of Beautification and Maintenance Commission
City Council Chambers
18747 Clarkdale Avenue
Artesia, CA 90701
(562) 865-6262**

**Thursday, January 15, 2026
6:00 p.m.**

1. CALL TO ORDER

2. ROLL CALL

3. PLEDGE OF ALLEGIANCE

4. PUBLIC COMMENTS

5. OLD BUSINESS

5.A. Adopt Minutes from October 16, 2025 Regular Meeting

6. NEW BUSINESS

6.A. Artesia Park Bioswale Installation Project

6.B. Presentation on Available City Funding for Tree Planting

6.C. Presentation on Winter Storm Response and Pothole Repairs

7. COMMISSIONER COMMENTS

Date Posted: January 12, 2026



BEAUTIFICATION AND MAINTENANCE AGENDA REPORT

MEETING DATE: January 15, 2026

ITEM NO: 5A.

TO: Beautification and Maintenance Commission

SUBJECT: Adopt Minutes from October 16, 2025 Regular Meeting

FROM: Leslie Nacionales-Tafoya, Management Analyst

REVIEWED AND APPROVED BY:

Ernesto Sanchez, Public Works Manager

RECOMMENDATION: Staff recommends that the Beautification and Maintenance Commission approve the minutes from the October 16, 2025 Regular Meeting.

Attachments

[Minutes 10.16.2025.pdf](#)

Minutes for the Beautification and Maintenance Commission

18747 Clarkdale , Artesia, CA 90701

October 16, 2025, 6:08 PM - October 16, 2025, 7:34 PM

Roll Call: *(The following members were in attendance)*

- **Maria Alondra Flores**, Commissioner
- **Crisalyn Torre**, Commissioner
- **Ron Fan**, Commissioner
- **Lorelei Bailey**, Commissioner
- **John Oudyk**, Commissioner

1. CALL TO ORDER

The Meeting was called to order by Chair Bailey at 6:08 pm.

2. ROLL CALL

3. PLEDGE OF ALLEGIANCE

4. PUBLIC COMMENTS

5. OLD BUSINESS

5 A. Approval of July 16, 2025 Regular Meeting Minutes

A motion "To Approve" was made Crisalyn Torre and seconded by Ron Fan.

Voting was conducted by majority vote.

Yea (3): Crisalyn Torre, Ron Fan, Lorelei Bailey

Nay (0): None

Abstain (0): John Oudyk

Absent (1): Maria Alondra Flores

Vote Number:3-0-1-1

Result: Motion Passed

5.A. Adopt Minutes from July 17, 2025 Regular Meeting- 6:09 PM

5.B. 2025 Highway Safety Improvement Program (HSIP) and Street Improvement Project

A presentation was made by Public Works Manager, Ernesto Sanchez. After Commissioner discussion,

a motion "To Approve" was made by John Oudyk and seconded by Ron Fan. Voting was conducted by majority vote.

Yea (4): Crisalyn Torre, John Oudyk, Lorelei Bailey, Ron Fan

Nay (0):

Abstain (0)

Absent (1): Maria Alondra Flores

Vote Number: 4-0-0-1

Result: Motion Passed

6. NEW BUSINESS

6.A. Electric Vehicle Charging Facility At Artesia Park

Karen Lee, Special Projects Manager made a presentation. After Board discussion and questions, a motion "To Approve" was made by Ron Fan and seconded by John Oudyk.

Voting was conducted by majority vote.

Yea (4): Crisalyn Torre, Ron Fan, Lorelei Bailey, John Oudyk

Nay (0): None

Abstain (0): None

Absent (1): Maria Alondra Flores

Vote Number:4-0-0-1

Result: Motion Passed

7. COMMISSIONER COMMENTS

Each of the Commissioners made comments.

Vice Chair Torre is excited about the roundabouts.

Commissioner Fan is thankful for staff's hard work.

Commissioner Oudyk is in favor of doing more secret pop ups for future calming measures.

Chair Bailey also wanted to thank staff for everything they were doing.

Chair Bailey adjourned the meeting at 7:34 pm.



BEAUTIFICATION AND MAINTENANCE AGENDA REPORT

MEETING DATE: January 15, 2026

ITEM NO: 6A.

TO: Beautification and Maintenance Commission

SUBJECT: Artesia Park Bioswale Installation Project

FROM: Ernesto Sanchez, Public Works Manager

REVIEWED AND APPROVED BY:

Ernesto Sanchez, Public Works Manager

RECOMMENDATION:

Staff recommends that the Beautification and Maintenance Commission review the proposed improvements, receive public comments, and provide a recommendation to the City Staff.

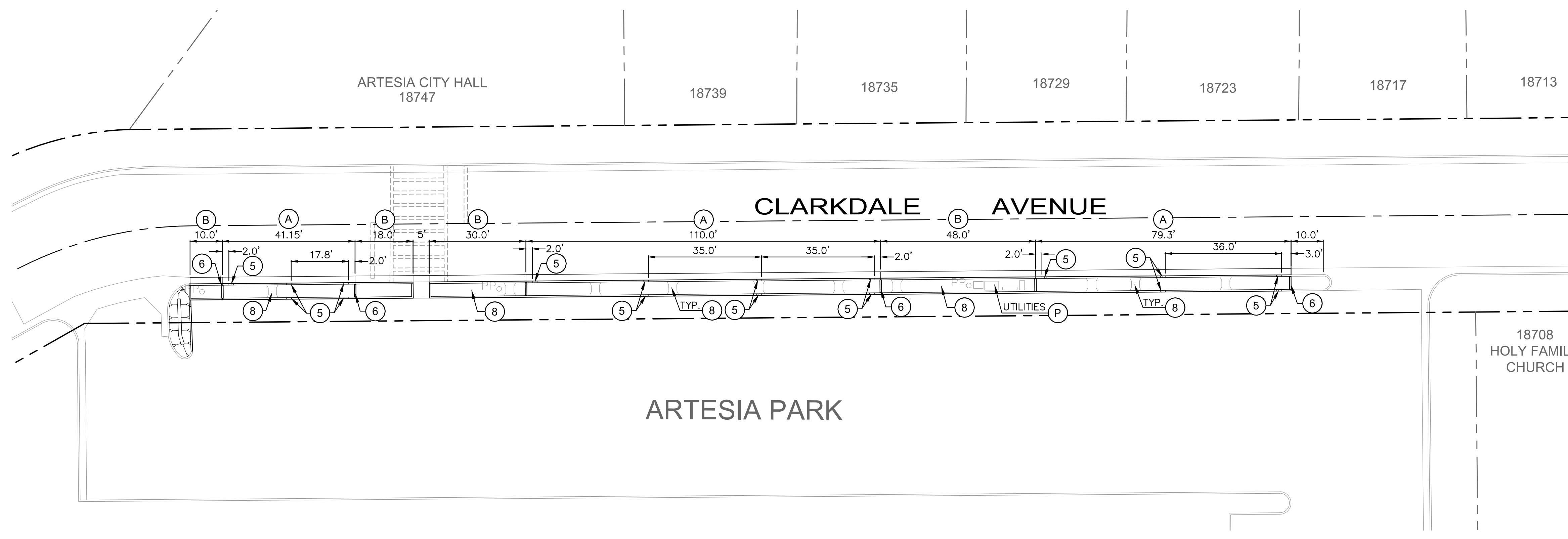
BACKGROUND:

Water consistently ponds along the curb and gutter on Clarkdale Avenue adjacent to the Artesia Park parking lot. In order to address this, Staff has drafted plans to cut openings to the curb and gutter and convert the planters to a large bioswale. Eight (8) existing Chinese Flame trees in the planters would need to be removed as part of the trenching required to make a bioswale. Staff proposes to replace these trees with small Crepe Myrtles.

Staff has prepared a presentation for the Beautification and Maintenance Commission that details the proposed improvements.

Attachments

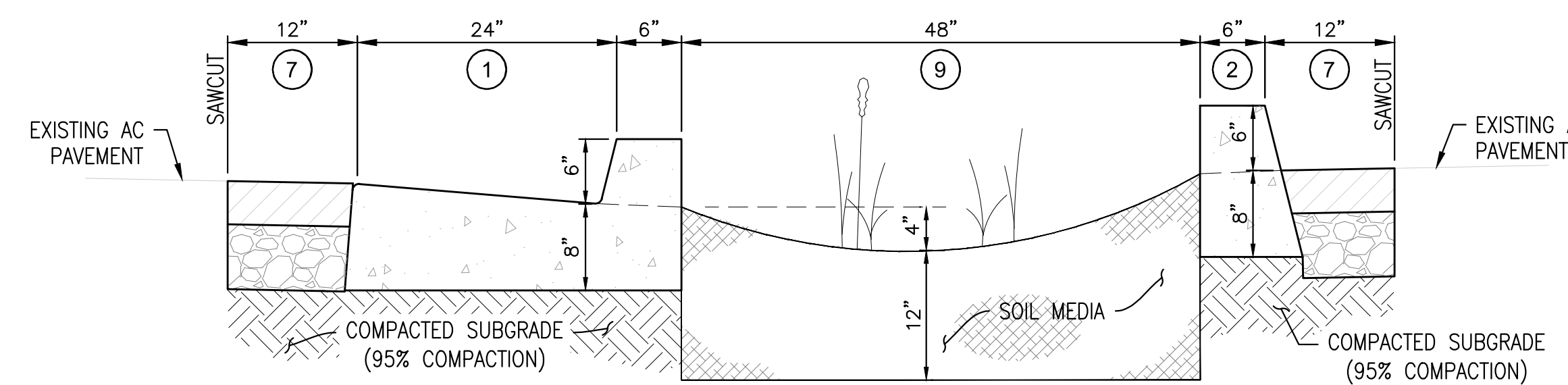
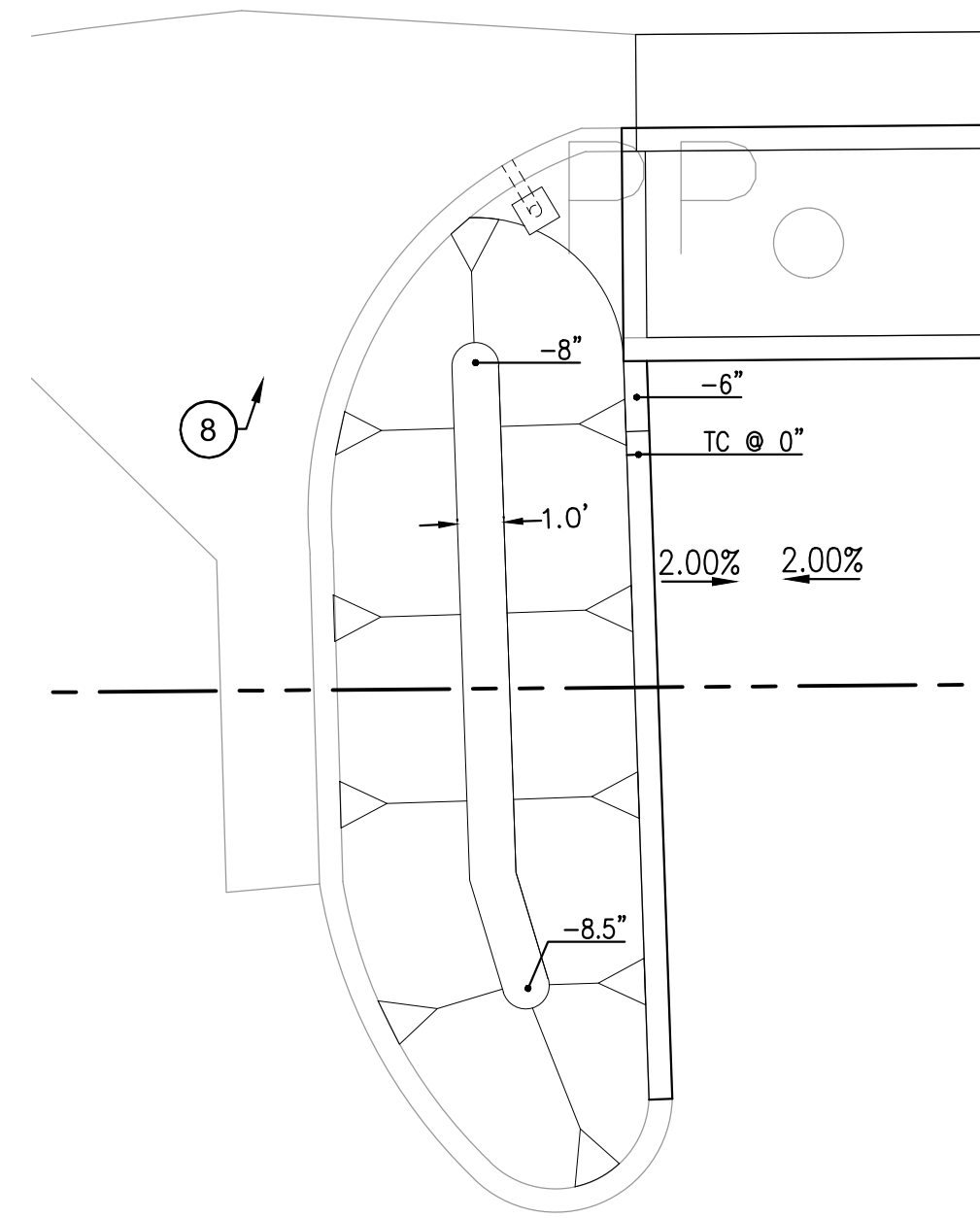
[City Hall Bioswale at Clarkdale Avenue_2026.01.12.pdf](#)



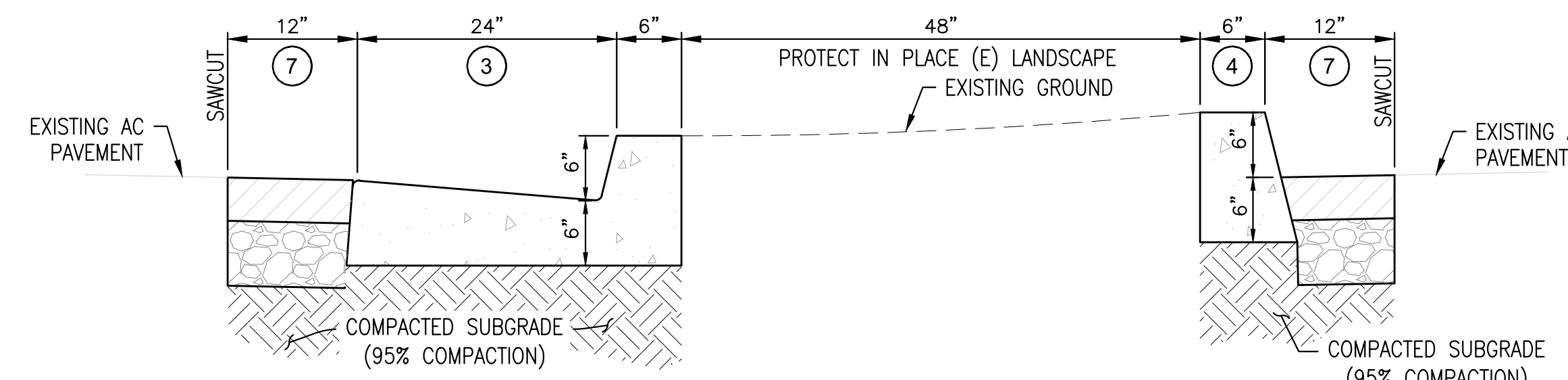
BIOSWALE IMPROVEMENT PLAN
SCALE: 1"=20'

BEST MANAGEMENT PRACTICES NOTES

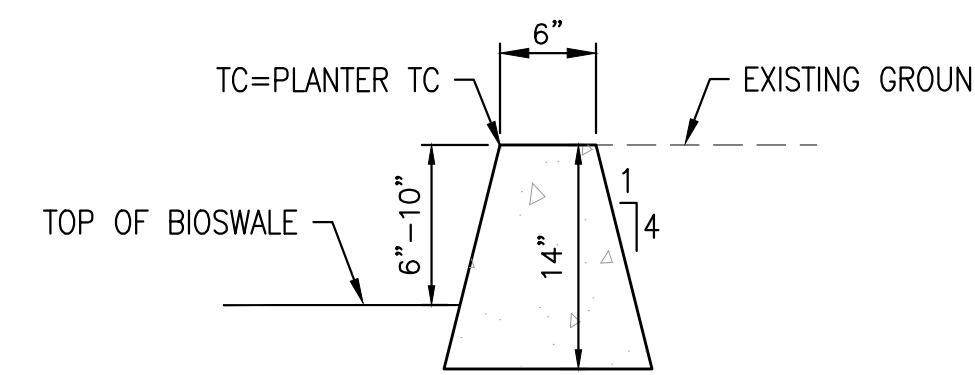
- EVERY EFFORT SHOULD BE MADE TO ELIMINATE THE DISCHARGE OF NON-STORMWATER FROM THE PROJECT SITE AT ALL TIMES.
- ERODED SEDIMENTS AND OTHER POLLUTANTS MUST BE RETAINED ON-SITE AND MAY NOT BE TRANSPORTED FROM THE SITE VIA SHEET FLOW SWALES, AREA DRAINS, NATURAL DRAINAGE COURSES OR WIND.
- STOCKPILES OF EARTH AND OTHER CONSTRUCTION RELATED MATERIALS MUST BE PROTECTED FROM BEING TRANSPORTED FROM THE SITE BY THE FORCES OF WIND OR WATER.
- FUELS, OILS, SOLVENTS, AND OTHER TOXIC MATERIALS MUST BE STORED IN ACCORDANCE WITH THEIR LISTING AND ARE NOT TO CONTAMINATE THE SOIL AND SURFACE WATERS. ALL APPROVED STORAGE CONTAINERS ARE TO BE PROTECTED FROM THE WEATHER. SPILLS MUST BE CLEANED UP IMMEDIATELY AND DISPOSED OF IN A PROPER MANNER. SPILLS MAY NOT BE WASHED INTO THE DRAINAGE SYSTEM.
- EXCESS OR WASTE CONCRETE MAY NOT BE WASHED INTO THE PUBLIC WAY OR ANY OTHER DRAINAGE SYSTEM. PROVISIONS SHALL BE MADE TO RETAIN CONCRETE WASTES ON-SITE UNTIL THEY CAN BE DISPOSED OF AS SOLID WASTE.
- TRASH AND CONSTRUCTION RELATED SOLID WASTES MUST BE DEPOSITED INTO A COVERED RECEPTACLE TO PREVENT CONTAMINATION OF RAINWATER AND DISPERSAL BY WIND.
- SEDIMENTS AND OTHER MATERIALS MAY NOT BE TRACKED FROM THE SITE BY VEHICLE TRAFFIC. THE CONSTRUCTION ENTRANCE ROADWAYS MUST BE STABILIZED SO AS TO INHIBIT SEDIMENTS FROM BEING DEPOSITED INTO THE PUBLIC WAY. ACCIDENTAL DEPOSITIONS MUST BE SWEEPED UP IMMEDIATELY AND MAY NOT BE WASHED DOWN BY RAIN OR OTHER MEANS.
- ANY SLOPES WITH DISTURBED SOILS OR DENUDED OF VEGETATION MUST BE STABILIZED SO AS TO INHIBIT EROSION BY WIND AND WATER.
- ALL CATCH BASINS AND CURB INLETS SHALL BE PROTECTED FROM RECEIVING RUNOFF FROM UNSTABILIZED OR OTHERWISE ACTIVE WORK AREAS. INLET PROTECTION SHALL BE USED IN CONJUNCTION WITH OTHER EROSION AND SEDIMENT CONTROLS TO PREVENT SEDIMENT LADEN STORMWATER AND NON-STORMWATER DISCHARGES FROM ENTERING THE STORM DRAIN SYSTEM.



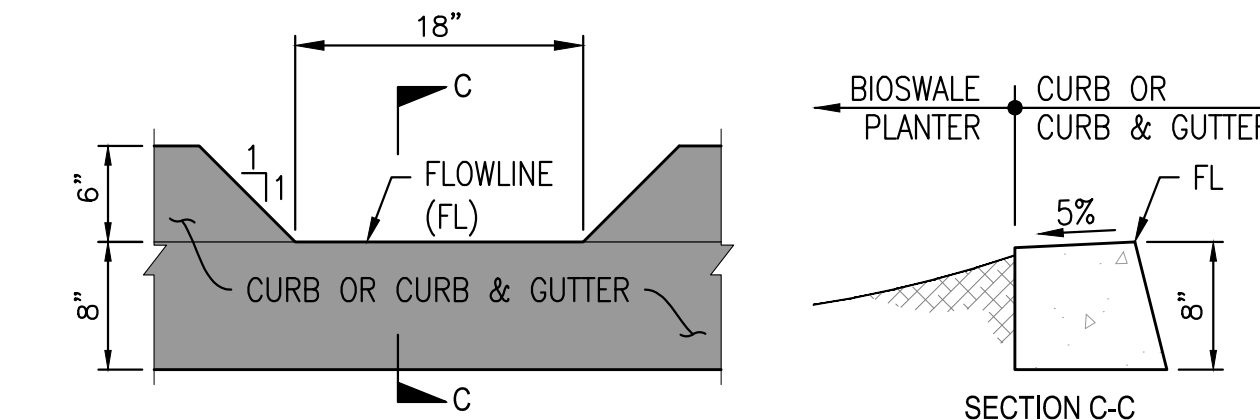
SECTION A-A
LOOKING NORTH
SCALE: 1"=1'



SECTION B-B
LOOKING NORTH
SCALE: 1"=1'



CONCRETE HEADER DETAIL (2)
SCALE: 1"=1'



CURB CUT DETAIL (1)
SCALE: 1"=1'

GENERAL NOTES

- TRAFFIC CONTROL SHALL BE IN ACCORDANCE WITH THE APPLICABLE CASE OF THE LATEST EDITION OF THE "WORK AREA TRAFFIC CONTROL HANDBOOK" (WATCH). CONTRACTOR SHALL PROVIDE TRAFFIC CONTROL PLAN FOR REVIEW AND APPROVAL IF NO APPLICABLE CASE.
- THE CONTRACTOR SHALL MEET WITH THE CITY FOR A PRE-CONSTRUCTION MEETING PRIOR TO CONSTRUCTION.
- THE CONTRACTOR SHALL PROTECT IN PLACE ALL EXISTING POWER POLES AND GUY WIRE & FOUNDATIONS.

CONSTRUCTION NOTES

- (A) CONSTRUCT BIOSWALE PER SECTION A-A HEREON.
- (B) CONSTRUCT PLANTER PER SECTION B-B HEREON.
- (1) CONSTRUCT CURB AND GUTTER PER SPPWC STD. PLAN 120-3 A2-6, MODIFIED TO 8" EMBEDDED DEPTH.
- (2) CONSTRUCT CURB PER SPPWC STD. PLAN 120-3 A1-6, MODIFIED TO 8" EMBEDDED DEPTH.
- (3) CONSTRUCT CURB AND GUTTER PER SPPWC STD. PLAN 120-3 A2-6.
- (4) CONSTRUCT CURB PER SPPWC STD. PLAN 120-3 A1-6.
- (5) CONSTRUCT 18" WIDE CURB CUT PER DETAIL 1 HEREON.
- (6) CONSTRUCT CONCRETE HEADER PER DETAIL 2 HEREON.
- (7) SAWCUT 1' FROM EDGE OF GUTTER OR FACE OF CURB AND REMOVE AND DISPOSE OF EXISTING ASPHALT PAVEMENT SECTION AND INSTALL ASPHALT STRUCTURAL PAVEMENT SECTION. MATCH EXISTING PAVEMENT SECTION.
- (8) REMOVE AND DISPOSE OF EXISTING 4'X3' CONCRETE PAD THAT ARE LOCATED WITHIN SECTION A-A ONLY. 8 TOTAL.
- (9) EXCAVATE EXISTING PLANTER AREA AND INSTALL SOIL MEDIA. SOIL MEDIA SHALL BE THOROUGHLY MIXED 30% NATIVE SOIL AMENDED WITH 70% ALL PURPOSE GARDEN SOIL. CONTRACTOR SHALL SUBMIT PRODUCT MATERIAL FOR ALL-PURPOSE GARDEN SOIL FOR APPROVAL.
- (P) PROTECT IN PLACE (ITEM AS NOTED)

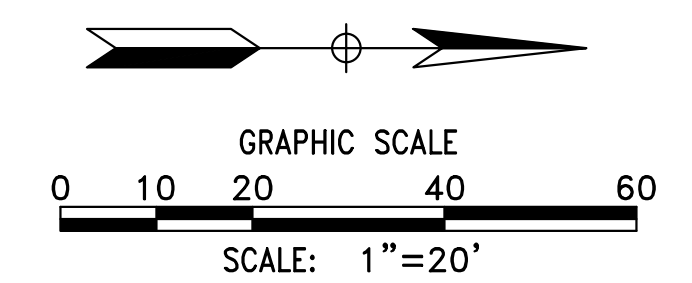
CONCRETE SPECIFICATIONS

PORTLAND CEMENT CONCRETE (PCC) FOR SIDEWALK AND DRIVEWAYS SHALL CONFORM TO SECTION 201-1 OF THE STANDARD SPECIFICATIONS AND PLACED IN CONFORMANCE WITH SECTION 302-6 OF THE STANDARD SPECIFICATIONS.

INCLUDED IN THE WORK FOR PCC CONSTRUCTION ARE ALL THE NECESSARY EXCAVATIONS, REMOVAL OF TREE ROOTS AND OF EXISTING CONCRETE PAVEMENT NECESSARY TO CONSTRUCT THE NEW SIDEWALK AND DRIVEWAYS AS SPECIFIED ON THE PLAN; INCLUDING AGGREGATE BASE. IF UNUSUAL SOIL CONDITIONS ARE ENCOUNTERED SUCH AS SOFT OR SPONGY SOIL, THE CITY WILL REQUIRE THE CONTRACTOR TO SCARIFY TO A DEPTH OF 12-INCHES BELOW THE CONSTRUCTION SUBGRADE AND LET THE SOIL DRY OUT UNTIL THE CITY ENGINEER APPROVES THE SUBGRADE. CONTRACTOR SHALL THEN COMPACT THE SUBGRADE TO 90% RELATIVE DENSITY AND CONTINUE WITH THE CONSTRUCTION.

CRUSHED AGGREGATE BASE SHALL CONFORM TO SECTION 200-2.2 AND 200-2.4 OF THE STANDARD SPECIFICATIONS FOR PUBLIC WORKS CONSTRUCTION (GREENBOOK), LATEST EDITION.

MEASUREMENT AND PAYMENT SHALL BE THE PRICE BID PER SQUARE FOOT (SF) AND SHALL BE FULL COMPENSATION FOR ALL MATERIALS, EXCAVATION, REMOVAL OF TREE ROOTS, BACKFILL, SCARIFYING, AGGREGATE BASE AND SUBGRADE COMPACTION, LABOR, MATERIAL, TOOLS, DOWELS, EQUIPMENT, REMOVING AND HAULING OF EXCAVATED MATERIALS, AND ANY OTHER INCIDENTALS REQUIRED TO COMPLETE THE CONSTRUCTION TO THE SATISFACTION OF THE CITY ENGINEER.



DIAL TOLL FREE
811

Know what's below.
Call before you dig.
AT LEAST TWO DAYS
BEFORE YOU DIG
UNDERGROUND SERVICE ALERT OF SOUTHERN CALIFORNIA

IMPORTANT NOTICE

SECTION 4216/4217 OF THE GOVERNMENT CODE REQUIRES A DIG ALERT IDENTIFICATION NUMBER BE ISSUED BEFORE A "PERMIT TO EXCAVATE" WILL BE VALID. FOR YOUR DIG ALERT I.D. NUMBER CALL UNDERGROUND SERVICE ALERT TOLL FREE 1-800-442-4133 TWO WORKING DAYS BEFORE YOU DIG.

IMPORTANT NOTICE

CONTRACTOR SHALL VERIFY LOCATIONS OF ALL UTILITIES WHETHER SHOWN OR NOT SHOWN ON THE PLANS PRIOR TO EXCAVATION. ANY DAMAGES TO EXISTING UTILITIES SHALL BE REPAIRED AT THE CONTRACTOR'S EXPENSE AND NO ADDITIONAL COMPENSATION WILL BE MADE.

REVISIONS:		
NO.	DATE	DESCRIPTION

PLANS PREPARED BY:
CITY OF ARTESIA, CA
ENGINEERING DIVISION PUBLIC WORKS DEPARTMENT
18747 CLARKDALE AVENUE
ARTESIA, CA 90701
PHONE: 562-865-6262

ERNESTO SANCHEZ
PUBLIC WORKS MANAGER

RON IBARRA, PE
CIVIL ENGINEER

DESIGNED BY: R. IBARRA
DRAFTED BY: R. IBARRA
CHECKED BY: E. SANCHEZ
APPROVED BY: A. AVALOS



PROJECT: CITY HALL BIOSWALE AT CLARKDALE AVENUE
SHEET: BIOSWALE IMPROVEMENT PLAN
CITY OF ARTESIA
DEPARTMENT OF ENGINEERING

C1

SHEET NO. 1 OF 1

PROGRESS SET - NOT FOR CONSTRUCTION



BEAUTIFICATION AND MAINTENANCE AGENDA REPORT

MEETING DATE: January 15, 2026

ITEM NO: 6B.

TO: Beautification and Maintenance Commission

SUBJECT: Presentation on Available City Funding for Tree Planting

FROM: Leslie Nacionales-Tafoya, Management Analyst

REVIEWED AND APPROVED BY:

Ernesto Sanchez, Public Works Manager

Staff will make a presentation outlining sources of funds in the Public Works budget for as well as potential grant funds for tree planting.

RECOMMENDATION:

Receive and file.



BEAUTIFICATION AND MAINTENANCE AGENDA REPORT

MEETING DATE: January 15, 2026

ITEM NO: 6C.

TO: Beautification and Maintenance Commission

SUBJECT: Presentation on Winter Storm Response and Pothole Repairs

FROM: Leslie Nacionales-Tafoya, Management Analyst

REVIEWED AND APPROVED BY:

Ernesto Sanchez, Public Works Manager

The Public Works Manager will make a presentation on the City's response to the recent winter storms and the pothole repair schedule.

RECOMMENDATION:

Receive and file.