
**** Revised ****

**Special Meeting of the Public Works Committee
City Hall
18747 Clarkdale Avenue
Artesia, CA 90701
(562) 865-6262**

**Friday, May 29, 2026
8:00 a.m.**

1. CALL TO ORDER

2. ROLL CALL

3. PUBLIC COMMENTS

Anyone wishing to speak is asked to fill out a speaker card and submit it to staff to address the committee. Public comments may be submitted by email at publiccomments@cityofartesia.us before 8:00 a.m. on the date of the meeting. All public comments are limited to a three-minute time period. Under California law, public comments at special meetings are limited to subjects on the agenda only.

4. ITEMS

- 4.A. Minutes from the February 4, 2026 Special Meeting
 - Recommendation: Approve the minutes from the February 4, 2026, Special Meeting.

- 4.B. Report on August 2025 and April 2026 Traffic Calming Demonstrations
 - Recommendation: Receive and file report on the results of the Traffic Calming Demonstrations.

- 4.C. Report on Highway Safety Improvement Program and Traffic Calming Street Improvement Project
 - Recommendation: Recommend Approval of Project Plans and Project Implementation to the City Council

- 4.D. Update Regarding Roadway Pavement Rehabilitation Project

- 4.E. Update Regarding Sinkhole at Artesia Park

5. ADJOURNMENT

Date Posted: May 28, 2026



PUBLIC WORKS COMMITTEE AGENDA REPORT

MEETING DATE: May 29, 2026

ITEM NO: 4A.

TO: Committee Members

SUBJECT: Minutes from the February 4, 2026 Special Meeting
- Recommendation: Approve the minutes from the February 4, 2026, Special Meeting.

FROM: Karen Lee, Special Projects Manager

REVIEWED AND APPROVED BY:
Ernesto Sanchez, Public Works Manager

RECOMMENDATION:

Staff recommends that the Public Works Committee approve the minutes as presented for the February 4, 2026, Special Meeting of the Public Works Committee.

BACKGROUND:

The attached action minutes of the Public Works Committee Special Meeting held on February 4, 2026, have been prepared for the Committee's review. The minutes must be approved to ensure an accurate record of the proceedings.

Attachments

[04Feb2026 Meeting Minutes.pdf](#)

PUBLIC WORKS COMMITTEE SPECIAL MEETING MINUTES
Wednesday, February 4, 2026
City Council Chambers
18747 Clarkdale Avenue, Artesia, CA 90701

1. CALL TO ORDER

Mayor Trevino called the meeting to order at 8:40 a.m.

2. ROLL CALL

Present: Mayor Trevino, Mayor Pro Tem Ramoso

Absent: None

Staff Present: City Manager Abel Avalos, Public Works Manager Ernesto Sanchez, Special Projects Manager Karen Lee, and City Engineer Ron Ibarra

3. PUBLIC COMMENTS

There were no public comments to report.

4. ITEMS

4.A. Proposed Red Curb and Signage Changes to Artesia Boulevard

Public Works Manager Sanchez introduced the item. City Engineer Ibarra provided the staff report. Mayor Pro Tem Ramoso had questions and/or comments. Mayor Trevino had questions and/or comments. City Manager Avalos provided input. Public Works Manager Sanchez provided input. Lorelei Bailey gave a public comment.

The Committee reviewed the proposed red curb and signage changes to Artesia Boulevard and provided feedback to Staff. The Committee recommended implementing the changes.

4.B. Proposed Installation of Bioswale at Artesia Park

Public Works Manager Sanchez provided the staff report. Mayor Trevino had questions and/or comments. Mayor Pro Tem Ramoso had questions and/or comments.

The Committee reviewed the proposed bioswale installation at Artesia Park and provided feedback to Staff. The Committee recommended implementing the project.

4.C. Proposed Removal of Palm Tree at Intersection of 186th Street and Pioneer Boulevard

Public Works Manager provided the staff report. Mayor Pro Tem Ramoso had questions and/or comments. Mayor Trevino had questions and/or comments. City Manager Avalos provided input.

The Committee reviewed the proposed removal of the palm tree at the intersection of 186th Street and Pioneer Boulevard and provided feedback to Staff. The Committee recommended implementing the project.

4.D. Fiscal Year 2025-2026 Roadway Pavement Project Update

Public Works Manager Sanchez provided the staff report. Mayor Pro Tem Ramoso had questions and/or comments. Mayor Trevino had questions and/or comments. City Engineer Ibarra provided input. City Manager Avalos provided input.

4.E. Proposed Changes to 187th Street Related to Upcoming Southeast Gateway Line
Special Projects Manager Lee provided the staff report. Mayor Pro Tem provided comments.
Mayor Trevino provided comments.

The Committee reviewed the proposed changes to 187th Street related to the upcoming Southeast Gateway Line and provided feedback to Staff. The Committee recommended implementing the changes.

5. ADJOURNMENT

The meeting was adjourned at 10:02 a.m.



PUBLIC WORKS COMMISSION AGENDA REPORT

MEETING DATE: May 29, 2026

ITEM NO: 4B.

TO: Committee Members

SUBJECT: Report on August 2025 and April 2026 Traffic Calming Demonstrations
- Recommendation: Receive and file report on the results of the Traffic Calming Demonstrations.

FROM: Ernesto Sanchez, Public Works Manager

REVIEWED AND APPROVED BY:
Ernesto Sanchez, Public Works Manager

RECOMMENDATION:

Staff recommends that the Public Works Committee receive and file this report.

BACKGROUND:

In June of 2025, the City was awarded grant funding from the Southern California Association of Government's (SCAG) Go Human Program, which facilitates community engagement and promotes local improvements that reduce traffic collisions, and encourages walking and biking. The grant funded a pop-up traffic calming demonstration on August 9, 2025 which included the following demonstrations:

- Mini-Traffic Circle at 186th Street and Clarkdale Avenue; and
- Mini-Traffic Circle at 186th Street and Elaine Avenue; and
- Mid-Block Crosswalk at Elaine Avenue and Droxford Street; and
- Mid-Block Crosswalks on Grayland Avenue between 186th Street and South Street.

The event was publicly advertised, and flyers were delivered to households in the area to encourage participation and community engagement. There were three primary goals of the demonstrations on August 9, 2025:

1. Gather Community Feedback: Attendees and participants in the demonstration were asked to complete a survey. A total of 31 surveys were responsive to the mini-traffic circles. 67% of those surveyed indicated that they would like to see mini-traffic circles become permanent. 33% of those surveyed indicated that they would not like to see them installed permanently. A total of 17 surveys were responsive to the mid-block crosswalks. 87% of those surveyed indicated that they would like to see mid-block crosswalks become permanent. 13% of those surveyed indicated that they would not like to see them become permanent.
2. Approval from Emergency Response: All traffic calming measures have the potential of creating obstructions and slowing down response times for emergency vehicles. Therefore, securing approval from emergency response is critical. Both Los Angeles County Sheriff and Los Angeles County Fire Department participated in the event on August 9, 2025. Los Angeles County Sheriff reported that they had no concerns with the traffic calming measures being demonstrated. Los Angeles County Fire Department reported difficulty maneuvering some of their larger vehicles through the mini-traffic circles and proposed some recommendations, which included mountable curbs and extended red-curbs at the

intersections. Staff modified plans and specifications based on their request, and the Los Angeles County Fire Department subsequently confirmed that they had no further concerns and did not anticipate that the mini-traffic circles would affect their response times or the maneuverability of their vehicles.

3. Test the Effect of the Traffic Calming Measures on Traffic Speeds: Staff collected vehicle speeds prior to the demonstrations to collect a baseline average speed at 4 different locations. Staff repeated this exercise during the demonstration and determined that there was a decrease in average vehicle speeds at all 4 locations as a result of the demonstrations. Average vehicle speeds decreased about 17% during the demonstration.

ANALYSIS:

The City continues to explore traffic calming measures that can be included in its current toolbox for combating vehicle speeding on residential streets. Between April 14, 2026 and April 21, 2026, conducted an additional study to test the effect of mini-traffic circles on residential streets. This demonstration was not publicly noticed, and only 1 mini-traffic circle was tested at a time. The goal was to determine if a single min-traffic circle would have a traffic calming effect on local speed limits. Staff determined that traffic speeds decreased about 13% during each of the demonstrations.



PUBLIC WORKS COMMISSION AGENDA REPORT

MEETING DATE: May 29, 2026

ITEM NO: 4C.

TO: Committee Members

SUBJECT: Report on Highway Safety Improvement Program and Traffic Calming Street Improvement Project
- Recommendation: Recommend Approval of Project Plans and Project Implementation to the City Council

FROM: Ernesto Sanchez, Public Works Manager

REVIEWED AND APPROVED BY:

Ernesto Sanchez, Public Works Manager

RECOMMENDATION:

Staff Recommends that the Public Works Committee recommend to the City Council:

1. Approval of the Highway Safety Improvement Program and Traffic Calming Street Improvement Project Plans; and
2. Award of a Construction Contact to the lowest responsive bidder to Implement the Highway Safety Improvement Program and Traffic Calming Street Improvement Project.

BACKGROUND:



1. Road: Elaine Avenue
- Segments: 183rd Street to South Street
- Road Condition: Satisfactory

Proposed Road Improvements: (1) Seal cracks and install slurry seal; (2) Remove top 2-inches of asphalt surface, and repave with 2-inch rubberized asphalt surface at select locations; (3) Remove buried longitudinal concrete gutter at the intersection of 187th Street and install full asphalt pavement section; and (4) Install new ADA compliant curb ramps and/or truncated domes at the intersection of Droxford Street for the mid-block crosswalk.

Proposed Traffic Calming Improvements: (1) Install enhanced crosswalks at the intersections of 183rd Street, 186th Street, 187th Street, and Droxford Street; (2) Install enhanced mid-block crosswalk at the intersection of Droxford Street; (3) Install red curb at intersections and crosswalks in accordance with Assembly Bill 413; (4) Install edgeline and centerline striping for visual narrowing; and (5) Install applicable pavement markings and street signage.

2. Road: Grayland Avenue
- Segments: 183rd Street to South Street
- Road Condition: Very Poor to Serious

Proposed Road Improvements: (1) Removal of the top 2-inches of asphalt surface, and repave with 2-inch rubberized asphalt surface; (2) Install a mid-block raised crosswalk with improvements to adjacent sidewalk; and (3) Install new ADA compliant curb ramps and/or truncated domes at the intersection of 186th Street.

Proposed Traffic Calming Improvements: (1) Install enhanced crosswalks at the intersections of 186th Street and South Street; (2) Install enhanced crosswalk including Rapid Flashing Beacon at mid-block crosswalk; (3) Install red curb at intersections and crosswalks in accordance with Assembly Bill 413; (4) Install centerline striping for visual narrowing; and (5) Install applicable pavement markings and street signage.

3. Road: 186th Street
- Segments: Arline Avenue to the Norwalk Boulevard
- Road Condition: Satisfactory to Very Poor

Proposed Road Improvements: (1) Removal of the top 2-inches of asphalt surface, and repave with 2-inch rubberized asphalt surface; (2) Seal cracks and install slurry seal at select locations; and (3) Install new ADA compliant curb ramps and/or truncated domes at intersections of Clarkdale Avenue, Devlin Avenue, Elaine Avenue, Grayland Avenue, and Horst Avenue.

Proposed Traffic Calming Improvements: (1) Install enhanced crosswalks at the intersections of Clarkdale Avenue, Devlin Avenue, Elaine Avenue, Horst Avenue, and Norwalk Boulevard; (2) Install Rapid Flashing Beacon at Devlin Avenue; (3) Install miniature roundabouts at the intersections of Clarkdale Avenue and Elaine Avenue; (4) Install red curb at intersections in accordance with Assembly Bill 413; (5) Install applicable pavement markings and street signage.

4. Road: Devlin Avenue
- Segment: 186th Street to 187th Street
- Road Condition: Satisfactory

Proposed Road Improvements: (1) Seal cracks and install slurry seal; and (2) Install new ADA compliant curb ramps and/or truncated domes at intersection of 186th Street.

5. Road: 187th Street
- Segment: Devlin Avenue to Elaine Avenue
- Road Condition: Satisfactory

Proposed Road Improvements: (1) Seal cracks and install slurry seal; and (2) Removal of the top 2-inches of asphalt surface, and repave with 2-inch rubberized asphalt surface at intersection with Elaine Avenue.

6. Road: Droxford Street
Segment: Cul-de-Sac to Elaine Avenue
Road Condition: Serious

Proposed Road Improvements: (1) Removal of the top 2-inches of asphalt surface, and repave with 2-inch rubberized asphalt surface.

7. Intersection: 166th Street and Alburdis Avenue

Proposed Road Improvements: (1) Install new ADA compliant curb ramps and/or truncated domes including improvements to adjacent sidewalks.

Proposed Traffic Calming Improvements: (1) Install enhanced crosswalk along 166th Street; (2) Install red curb at intersections and crosswalks in accordance with Assembly Bill 413; and (3) Install applicable pavement markings.

8. Intersection: 178th Street and Roseton Avenue

Proposed Road Improvements: (1) Install new ADA compliant truncated domes on existing curb ramps.

Proposed Traffic Calming Improvements: (1) Install enhanced crosswalk; (2) Install red curb at intersections in accordance with Assembly Bill 413; and (3) Install applicable pavement markings.

9. Intersection: 178th Street and Jersey Avenue

Proposed Road Improvements: (1) Install new ADA compliant truncated domes on existing curb ramps.

Proposed Traffic Calming Improvements: (1) Install enhanced crosswalk at 4-way intersection; (2) Install red curb at intersections in accordance with Assembly Bill 413; and (3) Install applicable pavement markings.

10. Intersection: Clarkdale Avenue and Ashworth Street

Proposed Road Improvements: (1) Install new ADA compliant truncated domes on existing curb ramps.

Proposed Traffic Calming Improvements: (1) Install enhanced crosswalk along Ashworth Street; and (2) Install applicable pavement markings and street signage.

ANALYSIS:

The proposed Project is a “public project” as defined in Artesia Municipal Code Section 3-4.19(b)(2)(A). The City has adopted the Uniform Public Construction Cost Accounting Act (“UPCCAA”) (Pub. Contract Code, § 22000, *et seq.*), which governs the City’s award of public projects. Public projects valued above \$200,000 must use formal bidding procedures in accordance with the Artesia Municipal Code and California Contracting Code. The City received a total of eight (8) sealed bids for the Project:

Attachments

[HSIP Traffic Calming Project PLANS.pdf](#)

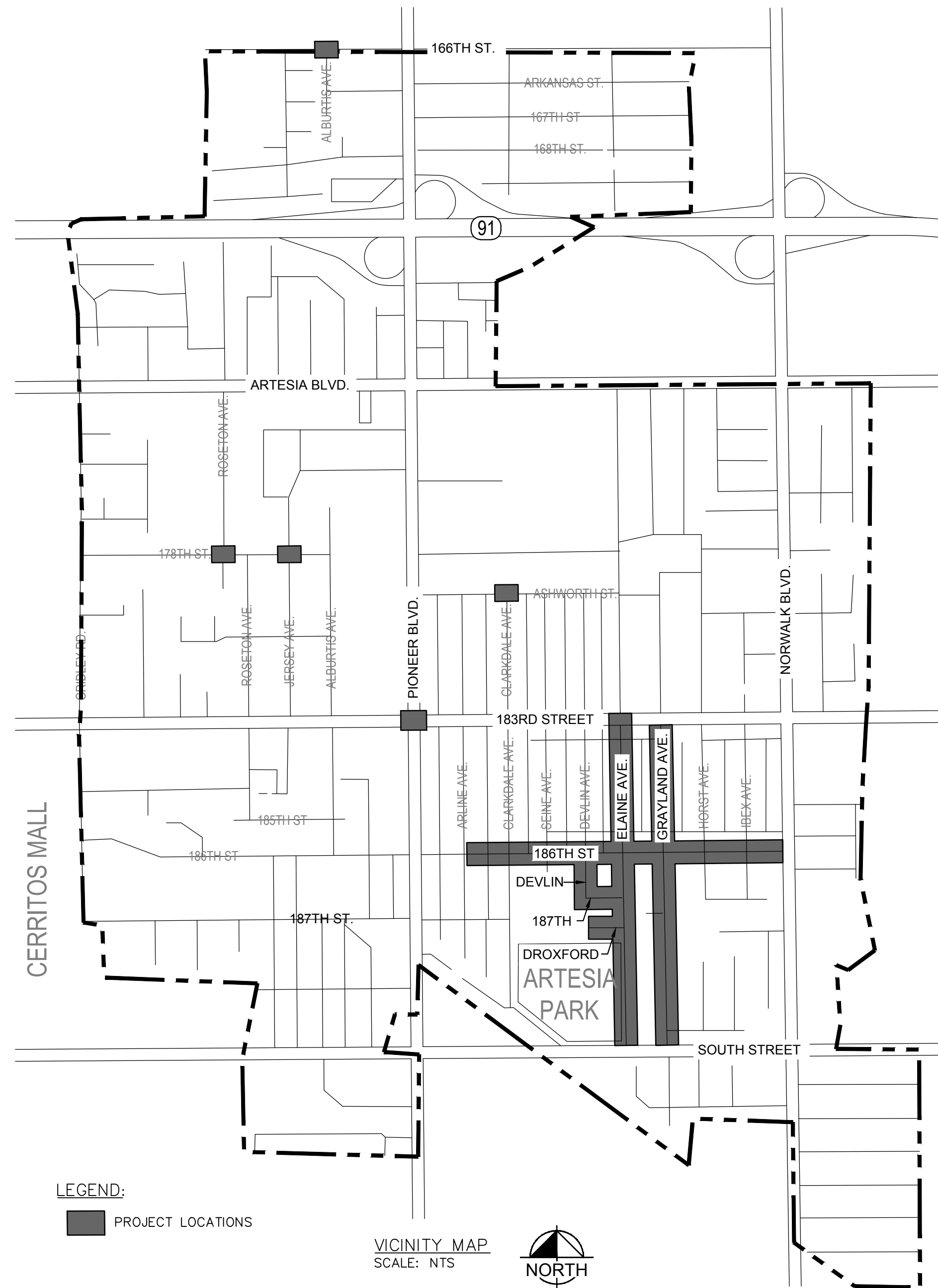


CITY OF ARTESIA

HIGHWAY SAFETY IMPROVEMENT PROGRAM (HSIP) AND TRAFFIC CALMING PROJECT

GENERAL NOTES:

- SPECIFICATIONS:**
ALL WORK SHALL CONFORM TO THE CITY OF ARTESIA STANDARD PLANS, CALIFORNIA MANUAL ON UNIFORM TRAFFIC CONTROL DEVICES (CA MUTCD) LATEST EDITION; THE STANDARD SPECIFICATIONS FOR PUBLIC WORKS CONSTRUCTION (GREENBOOK) LATEST EDITION; AND AS DIRECTED BY THE CITY'S REPRESENTATIVE.
- INSPECTION:**
ALL WORK AND MATERIALS SHALL BE INSPECTED BY THE INSPECTOR OF PUBLIC WORKS DURING CONSTRUCTION PURSUANT TO LATEST EDITION OF STANDARD SPECIFICATIONS FOR PUBLIC WORKS CONSTRUCTION (GREENBOOK), AND THE STANDARD PLANS FOR PUBLIC WORKS CONSTRUCTION AS APPLICABLE. CALL THE CITY REPRESENTATIVE AT (562) 865-6262 BEFORE NOON OF THE WORKING DAY BEFORE THE FIRST SCHEDULED DAY OF CONSTRUCTION.
- PRIOR TO THE START OF ANY CONSTRUCTION, DEMOLITION, REMOVALS, SAWCUTTING, OR INSTALLATION OF TRAFFIC CONTROL, THE CONTRACTOR SHALL MEET WITH THE CITY TO DISCUSS & COORDINATE SAFETY, TRAFFIC CONTROL REQUIREMENTS, PUBLIC ACCESS, CONSTRUCTION IMPACT MITIGATION, REMOVAL LIMITS, AND CONTRACTOR'S PLANNED SEQUENCING OF OPERATIONS. A HEALTH AND SAFETY PLAN HAS BEEN PREPARED & IS A PART OF THE DOCUMENTS. ADDITIONAL REQUIREMENTS BY THE CITY SHALL BE COORDINATED WITH THE CALIFORNIA DEPARTMENT OF TOXIC SUBSTANCES CONTROL.
- WORK IN PUBLIC STREETS ONCE BEGUN SHALL BE PROSECUTED TO COMPLETION WITHOUT DELAYS SO AS TO PROVIDE MINIMUM INCONVENIENCE TO ADJACENT PROPERTY OWNERS AND THE TRAVELING PUBLIC.
- UNDERGROUND SERVICE ALERT:**
BEFORE COMMENCING ANY EXCAVATION, THE CONTRACTOR SHALL NOTIFY UNDERGROUND SERVICE ALERT (USA) BY CALLING 811 OR 1-800-422-4133 TWO WORKING DAYS PRIOR TO CONSTRUCTION OR EXCAVATION WORK SO THAT UTILITY OWNERS CAN BE NOTIFIED BY THE CONTRACTOR.
- IT SHALL BE THE CONTRACTOR'S RESPONSIBILITY TO ARRANGE FOR AND COORDINATE THE RELOCATION OR ADJUSTMENTS OF EXISTING UTILITIES DEEMED NECESSARY BY THE PROPOSED IMPROVEMENTS.
- CONTRACTOR SHALL CONTACT COUNTY SANITATION DISTRICT OF LOS ANGELES COUNTY, 310-638-1161, 48 HOURS PRIOR TO CONSTRUCTION ACTUAL GRADE ADJUSTMENT OF COUNTY SANITATION DISTRICT MANHOLES TO BE DONE BY THE SANITATION DISTRICTS. CONTRACTOR TO BE RESPONSIBLE FOR EXCAVATION AND RE-PAVING AROUND MANHOLES ONLY.
- NOTIFICATION:**
AT LEAST TEN (10) DAYS BEFORE THE START OF CONSTRUCTION, THE CONTRACTOR SHALL NOTIFY, IN WRITING, ABUTTING PROPERTY OCCUPANTS OF THE PROPOSED CONSTRUCTION START DATE. A COPY OF SAID WRITTEN NOTIFICATION SHALL BE PROVIDED TO THE PUBLIC WORKS DIRECTOR FOR APPROVAL BEFORE THEY ARE DISTRIBUTED TO THE OCCUPANTS OF THE ABUTTING PROPERTY.
- ADVANCE CONSTRUCTION NOTICE SIGNS:**
IN ADDITION TO SIGNS REQUIRED BY THE PROVISIONS OF THE "WORK AREA TRAFFIC CONTROL HANDBOOK" (WATCH), LATEST EDITION, FURNISH AND PLACE SIGNS FOR GIVING ADVANCE NOTICE TO MOTORISTS OF TRAFFIC DISRUPTION AS PART OF THIS PROJECT.
- TRAFFIC CONTROL SHALL BE IN ACCORDANCE WITH THE APPLICABLE CASE OF THE THE LATEST EDITION OF THE "WORK AREA TRAFFIC CONTROL HANDBOOK" (WATCH). CONTRACTOR SHALL PROVIDE TRAFFIC CONTROL PLAN FOR REVIEW AND APPROVAL IF NO APPLICABLE CASE.
- SURVEY MONUMENT:**
THE CONTRACTOR SHALL FURNISH, PRESERVE AND RE-ESTABLISH ALL EXISTING MONUMENTS THAT ARE RECORDED AND/OR IDENTIFIED IN THE LOS ANGELES COUNTY SURVEYOR'S OFFICE AND/OR FIELD BOOK. THE CONTRACTOR SHALL ALSO ESTABLISH ALL CONTROLS AND ELEVATION AS REQUIRED. FOUND MONUMENTS ARE SHOWN ON THE PLAN.
- TRAFFIC LANE REQUIREMENTS:**
LATEST EDITION AND SUPPLEMENTS OF THE STANDARD SPECIFICATIONS FOR PUBLIC WORKS CONSTRUCTION (GREEN BOOK) WILL BE SATISFACTORY FOR THE TRAFFIC REQUIREMENTS.
- TRAFFIC SIGNING, LOOP REPLACEMENT, AND THE INSTALLATION THEREOF SHALL CONFORM TO THE STATE OF CALIFORNIA STANDARD PLANS AND SPECIFICATION, DATED 2018 AND THE LATEST REVISIONS, THE CALIFORNIA MANUAL ON UNIFORM TRAFFIC CONTROL DEVICES (CA MUTCD) LATEST EDITION, THESE PLANS, AND THE SPECIAL PROVISIONS.
- THE CONTRACTOR SHALL COORDINATE WITH THE CITY'S MAINTENANCE CONTRACTOR TO DISABLE THE TRAFFIC SIGNAL LOOP DETECTION AND RESET SIGNAL OPERATION TO TIME BASED.
- PROJECT COMPLETION AND CLOSURE:**
UPON RECEIVING A STATEMENT OF COMPLETION FORM FROM THE PUBLIC WORKS INSPECTOR (OR WHEN CONSTRUCTION IS NEARING A FINAL INSPECTION), THE CONTRACTOR SHALL:
 - NOTIFY THE ENGINEER OF RECORD TO PREPARE AND SUBMIT "AS-BUILT" PLANS. ALL PROJECT FINAL INSPECTIONS SHALL BE PLACED ON HOLD UNTIL THE CONTRACTOR AND ENGINEER OF RECORD COLLABORATELY SUBMIT AS-BUILT PLANS FOR PRE-APPROVAL.
 - PROVIDE COPIES OF CHANGE ORDER FORMS SIGNED BY ALL OFFICES TO THE ENGINEER OF RECORD.
 - UNLESS OTHERWISE INDICATED, THE ENGINEER OF RECORD IS RESPONSIBLE FOR PREPARING "AS-BUILT" PLANS IN COORDINATION WITH THE CONTRACTOR. AS BUILT PLANS WITH ASSOCIATED CHANGE ORDER FORMS SHALL BE SUBMITTED BY THE CONTRACTOR TO THE ENGINEER OF RECORDS.



NOTICE TO CONTRACTORS

THE EXISTENCE AND LOCATION OF ANY UNDERGROUND UTILITY PIPES, CONDUITS, OR STRUCTURES SHOWN ON THESE PLANS ARE OBTAINED BY A SEARCH OF THE AVAILABLE RECORDS. APPROVAL OF THESE PLANS BY THE CITY OF ARTESIA DOES NOT CONSTITUTE A REPRESENTATION AS TO THE ACCURACY OR COMPLETENESS OF THE LOCATION OR THE EXISTING OF ANY UTILITY PIPE OR STRUCTURE WITHIN THE LIMITS OF THIS PROJECT. THE CONTRACTOR IS REQUIRED TO TAKE ALL DUE PRECAUTIONARY MEANS TO PROTECT THE UTILITY LINES OR STRUCTURES SHOWN OR NOT SHOWN ON THESE PLANS.

CONTRACTOR AGREES THAT HE SHALL ASSUME SOLE AND COMPLETE RESPONSIBILITY FOR THE JOB SITE CONDITIONS DURING THE COURSE OF CONSTRUCTION OF THIS PROJECT, INCLUDING SAFETY OF ALL PERSON AND PROPERTY; THAT THIS REQUIREMENT SHALL APPLY CONTINUOUSLY AND NOT BE LIMITED TO NORMAL WORKING HOURS; THAT THE CONTRACTOR SHALL DEFEND, INDEMNIFY AND HOLD THE OWNER AND THE ENGINEER HARMLESS FROM ANY AND ALL LIABILITY, REAL OR ALLEGED, IN CONNECTION WITH THE PERFORMANCE OF WORK ON THIS PROJECT.

ABBREVIATIONS

AB	AGGREGATE BASE	NO.	NUMBER
AC	ASPHALT CONCRETE	N.T.S.	NOT TO SCALE
ARHM	ASPHALT RUBBER HOT MIX	PCC	PORTLAND CONCRETE CEMENT
BCR	BEGINNING OF CURB RETURN	PP	POWER POLE
CB	CATCH BASIN	PVMT	PAVEMENT
CF	CURB FACE	SD	STORM DRAIN
CL	CENTER LINE	SDMH	STORM DRAIN MANHOLE
CONT.	CONTINUATION	SMH	SEWER MANHOLE
DWY	DRIVEWAY	SS	SANITARY SEWER
EG	EDGE OF GUTTER	STA	STATION
(E)	EXISTING	STD.	STANDARD
FH	FIRE HYDRANT	SPPWC	STANDARD PLANS
FL	FLOWLINE		FOR PUBLIC WORKS
FS	FINISH SURFACE		CONSTRUCTION
FT	FEET	TMH	TOP OF MANHOLE
FW	FIRE WATER	TC	TOP OF CURB
GM	GAS METER	TG	TOP OF GRATE
GSW	GOLDEN STATE WATER	TS	TRAFFIC SIGNAL
H.P.	HIGH POINT	TW	TOP OF WALL
L	LENGTH	TYP.	TYPICAL
MON	MONUMENT	W	WIDTH
MH	MANHOLE	WM	WATER METER
		WV	WATER VALVE

SHEET INDEX

NO.	SHEET	SHEET TITLE
1	C-1	TITLE SHEET AND VICINITY MAP
2	C-2	BMP NOTES AND TYPICAL SECTIONS
3	C-3	186TH STREET STREET IMPROVEMENT PLAN
4	C-4	DEVLIN AVE., 187TH & DROXFORD STREET STREET IMPROVEMENT PLAN
5	C-5	ELAINE AVENUE STREET IMPROVEMENT PLAN
6	C-6	GRAYLAND AVENUE STREET IMPROVEMENT PLAN
7	C-7	VARIOUS INTERSECTION STREET IMPROVEMENT PLAN
8	C-8	STREET IMPROVEMENT PLAN DETAILS - 1
9	C-9	STREET IMPROVEMENT PLAN DETAILS - 2
10	C-10	STREET IMPROVEMENT PLAN DETAILS - 3
11	C-11	186TH STREET SIGNING & STRIPING PLAN
12	C-12	ELAINE AVENUE SIGNING & STRIPING PLAN
13	C-13	GRAYLAND AVENUE SIGNING & STRIPING PLAN
14	C-14	VARIOUS INTERSECTION STRIPING PLAN
15	C-15	SIGNING & STRIPING PLAN DETAILS
16	C-20	DETAILS
17	C-21	STRIPING DETAILS
18	C-22	SIGNING & STRIPING DETAILS



DIAL TOLL FREE

811

Know what's below. AT LEAST TWO DAYS BEFORE YOU DIG.

UNDERGROUND SERVICE ALERT OF SOUTHERN CALIFORNIA

IMPORTANT NOTICE

SECTION 4216/4217 OF THE GOVERNMENT CODE REQUIRES A DIG ALERT IDENTIFICATION NUMBER BE ISSUED BEFORE A "PERMIT TO EXCAVATE" WILL BE VALID. FOR YOUR DIG ALERT I.D. NUMBER CALL UNDERGROUND SERVICE ALERT TOLL FREE 1-800-442-4133 TWO WORKING DAYS BEFORE YOU DIG.

IMPORTANT NOTICE

CONTRACTOR SHALL VERIFY LOCATIONS OF ALL UTILITIES WHETHER SHOWN OR NOT SHOWN ON THE PLANS PRIOR TO EXCAVATION. ANY DAMAGES TO EXISTING UTILITIES SHALL BE REPAIRED AT THE CONTRACTOR'S EXPENSE AND NO ADDITIONAL COMPENSATION WILL BE MADE.

REVISIONS:		
NO.	DATE	DESCRIPTION



PLANS PREPARED BY:
CITY OF ARTESIA, CA
ENGINEERING DIVISION PUBLIC WORKS DEPARTMENT
18747 CLARKDALE AVENUE
ARTESIA, CA 90701
PHONE: 562-865-6262

ERNESTO SANCHEZ
PUBLIC WORKS MANAGER

RON IBARRA, PE
CIVIL ENGINEER

DESIGNED BY:	DATE
R. IBARRA	4/2/2026
R. IBARRA	4/2/2026
E. SANCHEZ	4/2/2026
A. AVALOS	4/2/2026



PROJECT:	HSP AND TRAFFIC CALMING PROJECT
SHEET:	TITLE SHEET & VICINITY MAP
CITY OF ARTESIA DEPARTMENT OF ENGINEERING	

C-1

BEST MANAGEMENT PRACTICES NOTES

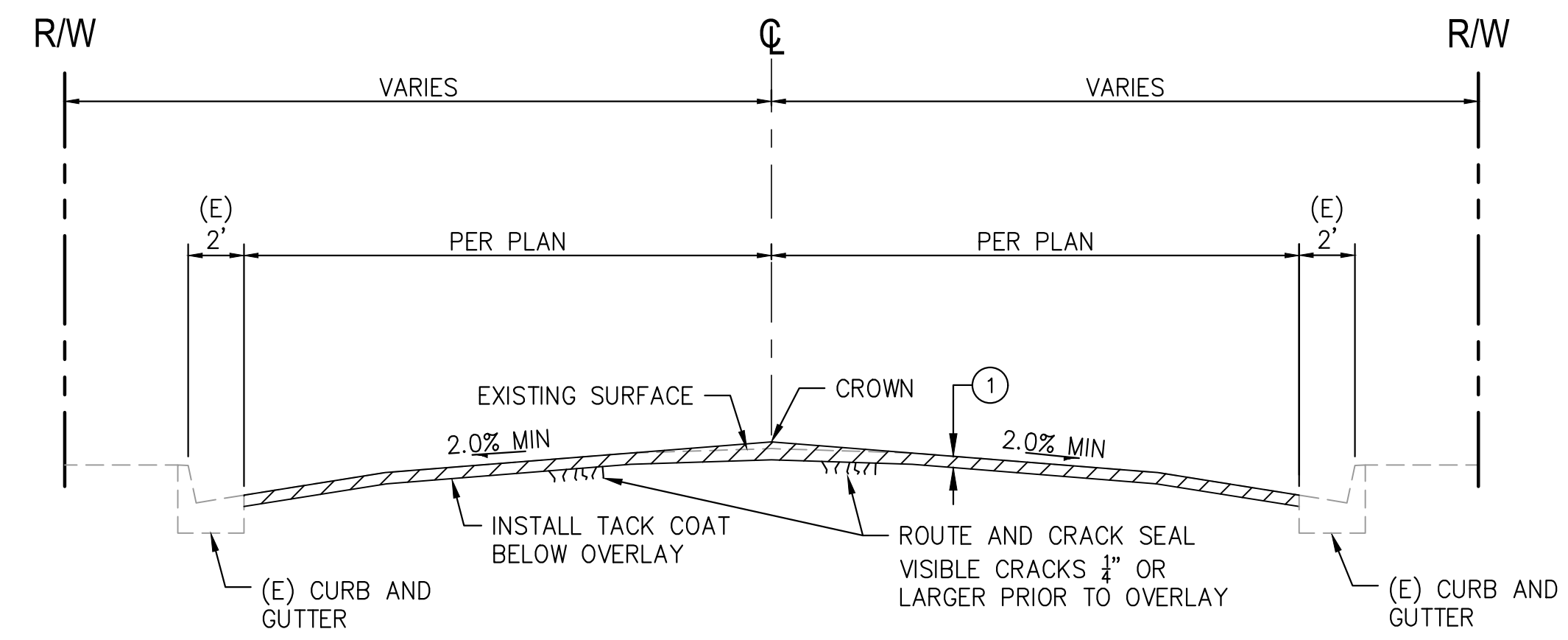
1. EVERY EFFORT SHOULD BE MADE TO ELIMINATE THE DISCHARGE OF NON-STORMWATER FROM THE PROJECT SITE AT ALL TIMES.
2. ERODED SEDIMENTS AND OTHER POLLUTANTS MUST BE RETAINED ON-SITE AND MAY NOT BE TRANSPORTED FROM THE SITE VIA SHEET FLOW, SWALES, AREA DRAINS, NATURAL DRAINAGE COURSES OR WIND.
3. STOCKPILES OF EARTH AND OTHER CONSTRUCTION RELATED MATERIALS MUST BE PROTECTED FROM BEING TRANSPORTED FROM THE SITE BY THE FORCES OF WIND OR WATER.
4. FUELS, OILS, SOLVENTS, AND OTHER TOXIC MATERIALS MUST BE STORED IN ACCORDANCE WITH THEIR LISTING AND ARE NOT TO CONTAMINATE THE SOIL AND SURFACE WATERS. ALL APPROVED STORAGE CONTAINERS ARE TO BE PROTECTED FROM THE WEATHER. SPILLS MUST BE CLEANED UP IMMEDIATELY AND DISPOSED OF IN A PROPER MANNER. SPILLS MAY NOT BE WASHED INTO THE DRAINAGE SYSTEM.
5. EXCESS OR WASTE CONCRETE MAY NOT BE WASHED INTO THE PUBLIC WAY OR ANY OTHER DRAINAGE SYSTEM. PROVISIONS SHALL BE MADE TO RETAIN CONCRETE WASTES ON-SITE UNTIL THEY CAN BE DISPOSED OF AS SOLID WASTE.
6. TRASH AND CONSTRUCTION RELATED SOLID WASTES MUST BE DEPOSITED INTO A COVERED RECEPTACLE TO PREVENT CONTAMINATION OF RAINWATER AND DISPERSAL BY WIND.
7. SEDIMENTS AND OTHER MATERIALS MAY NOT BE TRACKED FROM THE SITE BY VEHICLE TRAFFIC. THE CONSTRUCTION ENTRANCE ROADWAYS MUST BE STABILIZED SO AS TO INHIBIT SEDIMENTS FROM BEING DEPOSITED INTO THE PUBLIC WAY. ACCIDENTAL DEPOSITIONS MUST BE SWEEPED UP IMMEDIATELY AND MAY NOT BE WASHED DOWN BY RAIN OR OTHER MEANS.
8. ANY SLOPES WITH DISTURBED SOILS OR DENUDED OF VEGETATION MUST BE STABILIZED SO AS TO INHIBIT EROSION BY WIND AND WATER.
9. ALL CATCH BASINS AND CURB INLETS SHALL BE PROTECTED FROM RECEIVING RUNOFF FROM UNSTABILIZED OR OTHERWISE ACTIVE WORK AREAS. INLET PROTECTION SHALL BE USED IN CONJUNCTION WITH OTHER EROSION AND SEDIMENT CONTROLS TO PREVENT SEDIMENT LADEN STORMWATER AND NON-STORMWATER DISCHARGES FROM ENTERING THE STORM DRAIN SYSTEM.

GENERAL NOTES

1. AFTER ENTIRE COLD MILL STAGE OR BEFORE SLURRY SEAL INSTALLATION, ROUTE AND CRACK SEAL VISIBLE CRACK 1/4" OR LARGER PRIOR TO OVERLAY OR SLURRY SEALING.

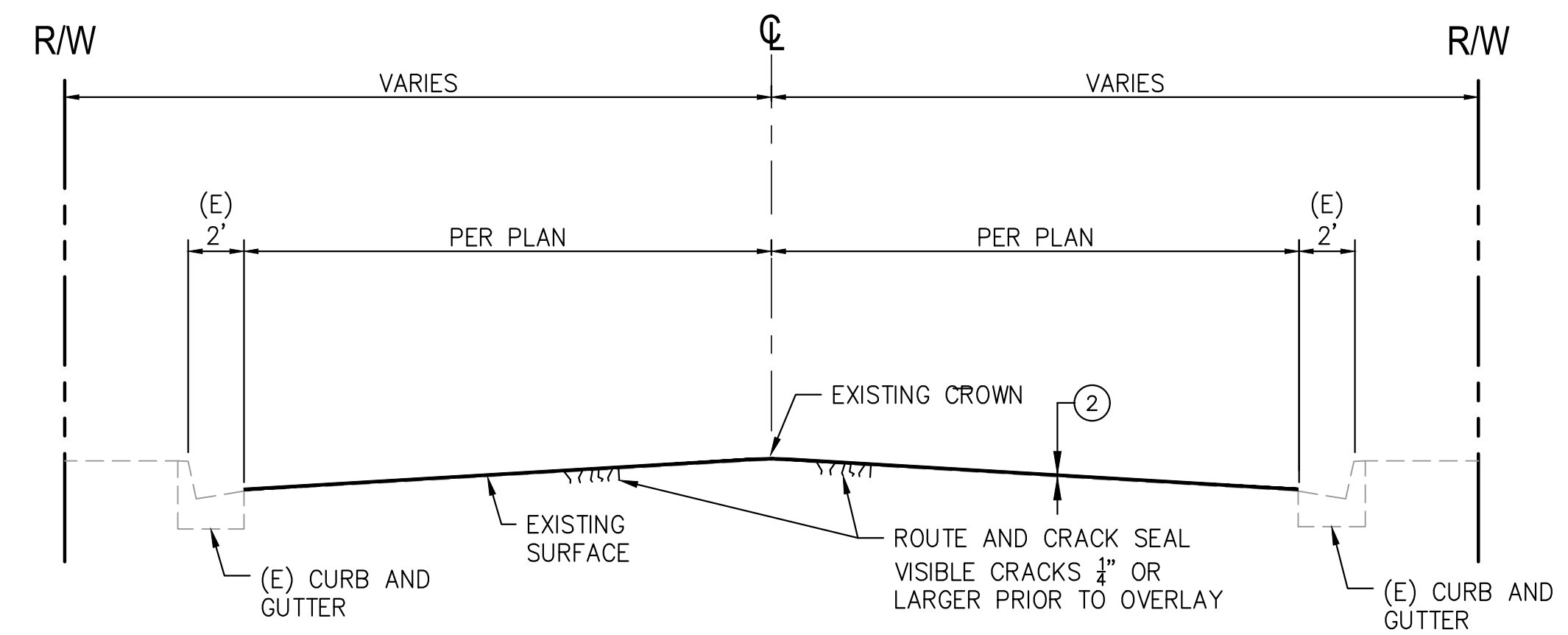
CONSTRUCTION NOTES

- 1 COLD MILL 2" OF EXISTING ASPHALT CONCRETE AND REPAVE WITH A MINIMUM OF 2" ASPHALT (C2 PG 64-10).
- 2 SEAL CRACKS AND INSTALL SLURRY SEAL. REMOVE ALL EXISTING STRIPING, MARKERS, AND PAVEMENT MARKINGS PRIOR TO INSTALLATION.



TYPICAL SECTION FOR COLDMILL & OVERLAY

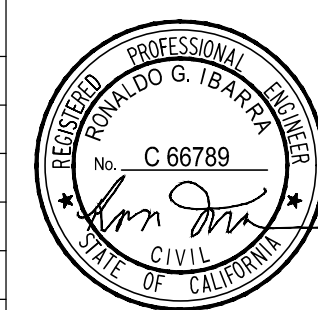
N.T.S.



TYPICAL SECTION FOR SLURRY SEAL

NTS

REVISIONS:		
NO.	DATE	DESCRIPTION



PLANS PREPARED BY:
 CITY OF ARTESIA, CA
 ENGINEERING DIVISION PUBLIC WORKS DEPARTMENT
 18747 CLARKDALE AVENUE
 ARTESIA, CA 90701
 PHONE: 562-865-6262

ERNESTO SANCHEZ
 PUBLIC WORKS MANAGER

RON IBARRA, PE
 CIVIL ENGINEER

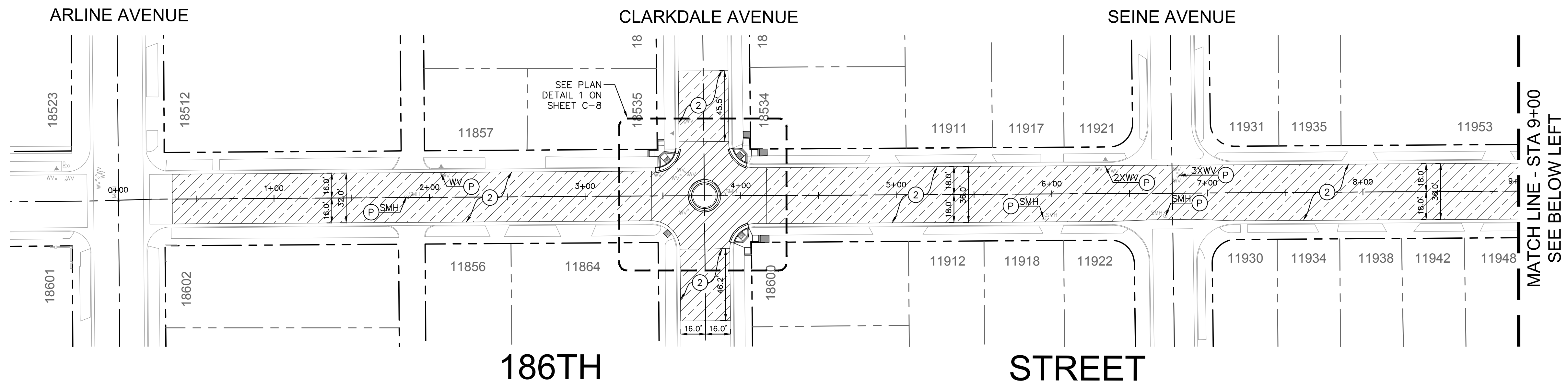
	DATE
DESIGNED BY: R. IBARRA	4/2/2026
DRAFTED BY: R. IBARRA	4/2/2026
CHECKED BY: E. SANCHEZ	4/2/2026
APPROVED BY: A. AVALOS	4/2/2026



PROJECT: HSP AND TRAFFIC CALMING PROJECT
 SHEET: BMP NOTES AND TYPICAL SECTIONS

CITY OF ARTESIA
 DEPARTMENT OF ENGINEERING

C-2



GENERAL NOTES

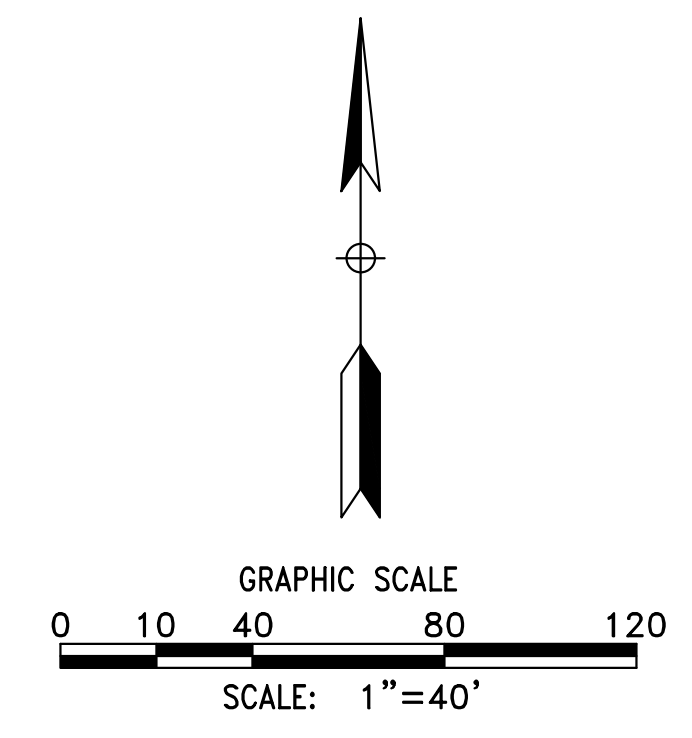
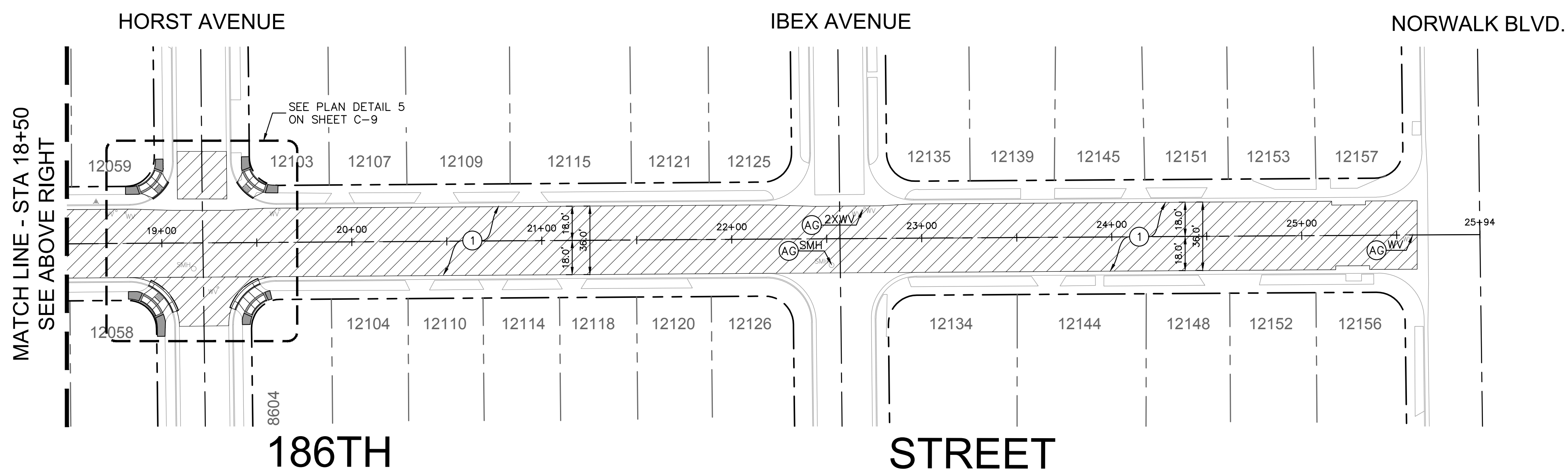
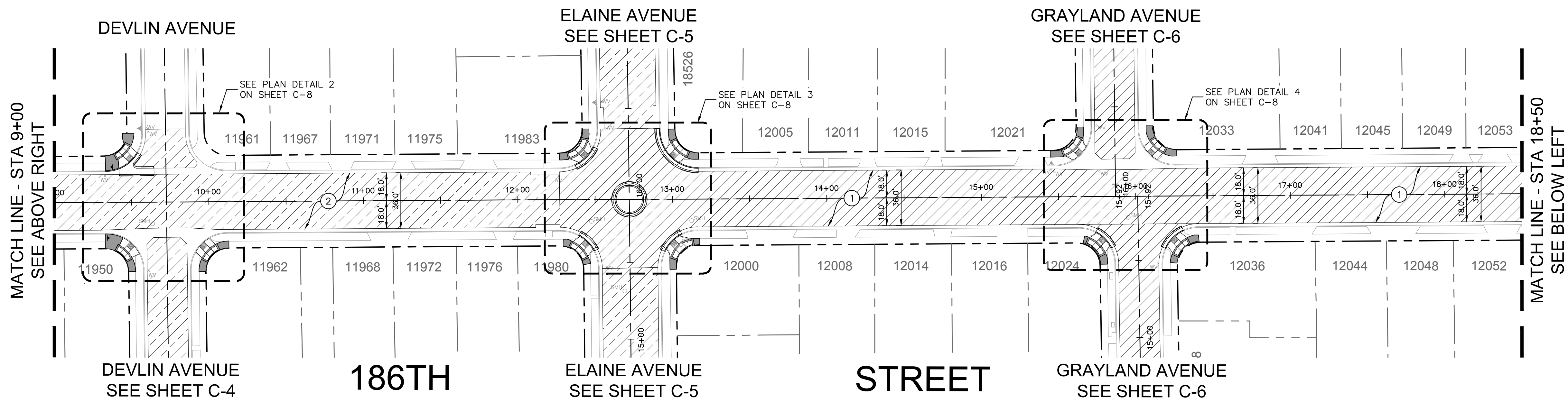
1. THE CONTRACTOR SHALL FURNISH, PRESERVE, AND RE-ESTABLISH ALL EXISTING "STREET CENTERLINE" MONUMENTS THAT ARE RECORDED AND/OR IDENTIFIED IN THE LOS ANGELES COUNTY SURVEYOR'S OFFICE AND/OR FIELD BOOK. THE CONTRACTOR SHALL ALSO ESTABLISH ALL CONTROLS AND ELEVATIONS AS REQUIRED AND AS SHOWN ON THE PLAN OR AS DIRECTED BY THE ENGINEER.

CONSTRUCTION NOTES

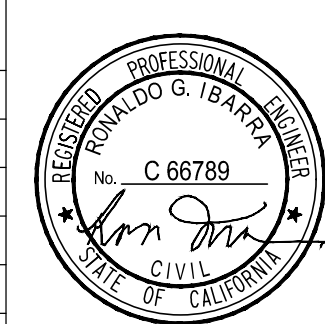
1. COLD MILL 2" OF EXISTING ASPHALT CONCRETE AND REPAVE WITH A MINIMUM OF 2" ASPHALT (C2 PG 64-10)
2. SEAL CRACKS AND INSTALL SLURRY SEAL. REMOVE ALL EXISTING STRIPING, MARKERS, AND PAVEMENT MARKINGS PRIOR TO INSTALLATION.
- P. PROTECT IN PLACE (ITEM AS NOTED)
- AG. ADJUST TO GRADE (ITEM AS NOTED)

LEGEND

- LIMITS OF COLD MILL AND ASPHALT OVERLAY
- LIMITS OF SLURRY SEAL
- APPARENT CENTERLINE



REVISIONS:		
NO.	DATE	DESCRIPTION



PLANS PREPARED BY:
 CITY OF ARTESIA, CA
 ENGINEERING DIVISION PUBLIC WORKS DEPARTMENT
 18747 CLARKDALE AVENUE
 ARTESIA, CA 90701
 PHONE: 562-865-6262

ERNESTO SANCHEZ
 PUBLIC WORKS MANAGER

RON IBARRA, PE
 CIVIL ENGINEER

DESIGNED BY:	DATE
R. IBARRA	4/2/2026
DRAFTED BY: R. IBARRA	4/2/2026
CHECKED BY: E. SANCHEZ	4/2/2026
APPROVED BY: A. AVALOS	4/2/2026



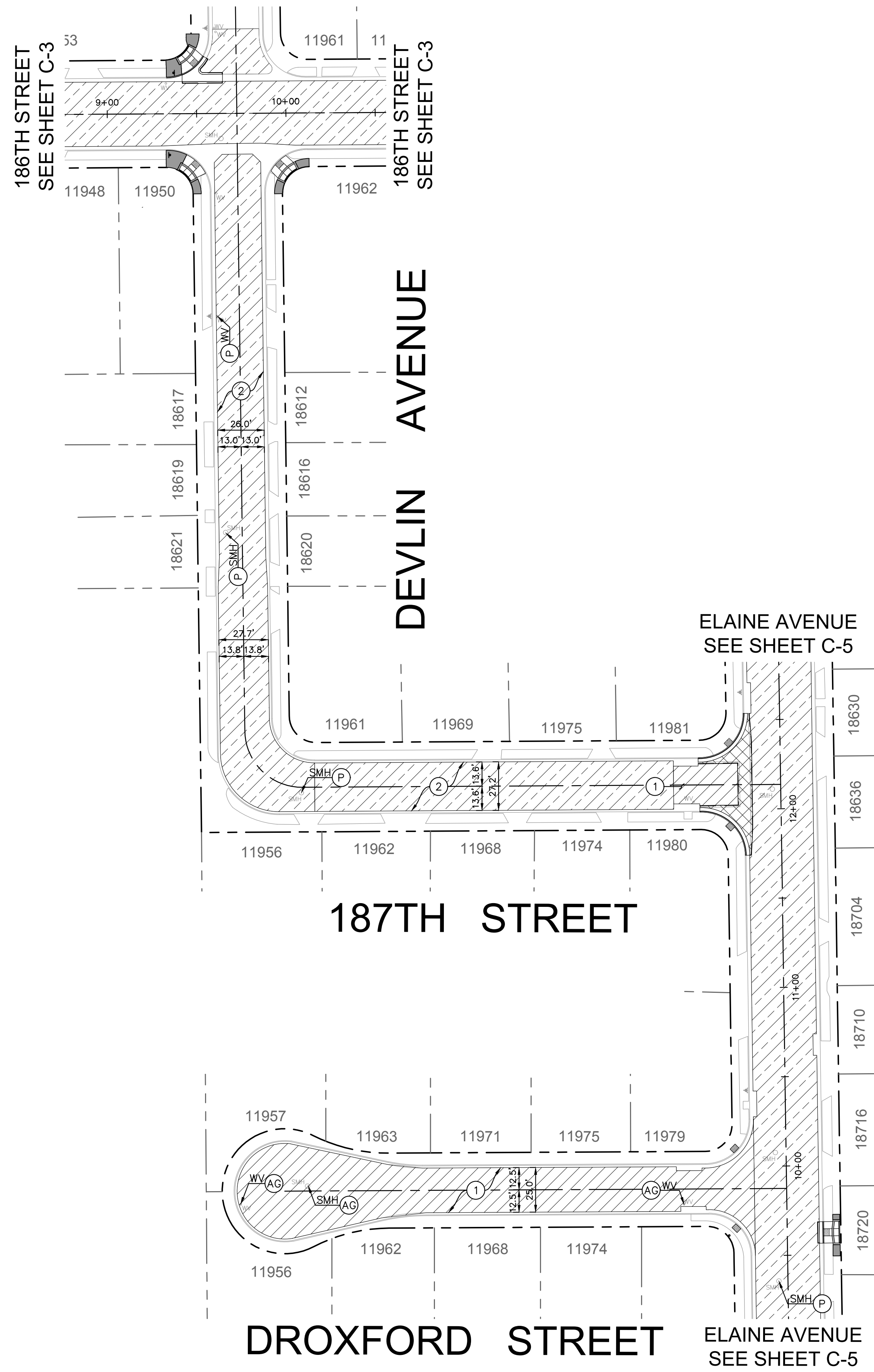
PROJECT: HSIP AND TRAFFIC CALMING PROJECT

SHEET: 186TH STREET STREET IMPROVEMENT PLAN

CITY OF ARTESIA
 DEPARTMENT OF ENGINEERING

C-3

SHEET NO. 3 OF 18



GENERAL NOTES

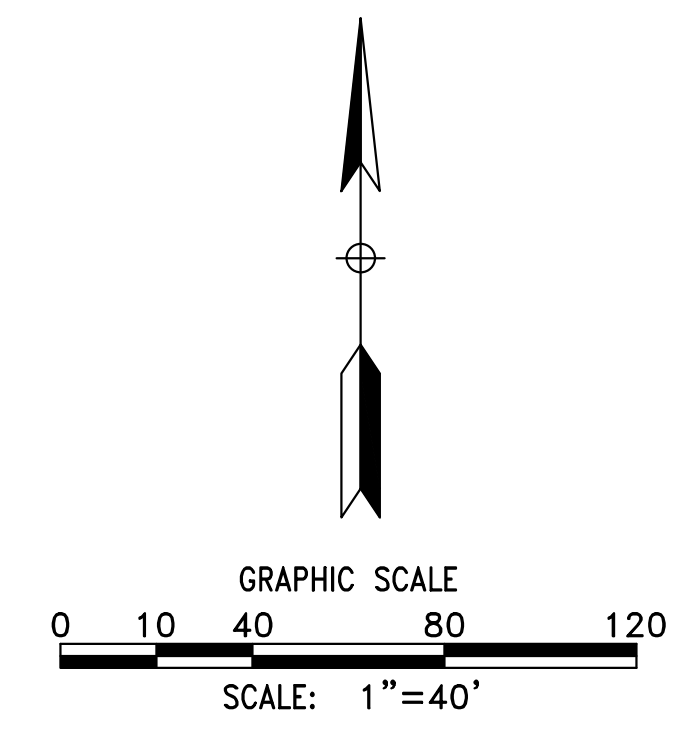
1. THE CONTRACTOR SHALL FURNISH, PRESERVE, AND RE-ESTABLISH ALL EXISTING "STREET CENTERLINE" MONUMENTS THAT ARE RECORDED AND/OR IDENTIFIED IN THE LOS ANGELES COUNTY SURVEYOR'S OFFICE AND/OR FIELD BOOK. THE CONTRACTOR SHALL ALSO ESTABLISH ALL CONTROLS AND ELEVATIONS AS REQUIRED AND AS SHOWN ON THE PLAN OR AS DIRECTED BY THE ENGINEER.

CONSTRUCTION NOTES

- ① COLD MILL 2" OF EXISTING ASPHALT CONCRETE AND REPAVE WITH A MINIMUM OF 2" ASPHALT (C2 PG 64-10)
 - ② SEAL CRACKS AND INSTALL SLURRY SEAL. REMOVE ALL EXISTING STRIPING, MARKERS, AND PAVEMENT MARKINGS PRIOR TO INSTALLATION.
- (P) PROTECT IN PLACE (ITEM AS NOTED)
 (AG) ADJUST TO GRADE (ITEM AS NOTED)

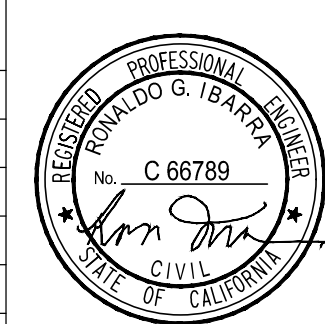
LEGEND

- LIMITS OF COLD MILL AND ASPHALT OVERLAY
- LIMITS OF SLURRY SEAL
- APPARENT CENTERLINE



REVISIONS:

NO.	DATE	DESCRIPTION



PLANS PREPARED BY:
 CITY OF ARTESIA, CA
 ENGINEERING DIVISION PUBLIC WORKS DEPARTMENT
 18747 CLARKDALE AVENUE
 ARTESIA, CA 90701
 PHONE: 562-865-6262

ERNESTO SANCHEZ
 PUBLIC WORKS MANAGER

RON IBARRA, PE
 CIVIL ENGINEER

	DATE
DESIGNED BY: R. IBARRA	4/2/2026
DRAFTED BY: R. IBARRA	4/2/2026
CHECKED BY: E. SANCHEZ	4/2/2026
APPROVED BY: A. AVALOS	4/2/2026

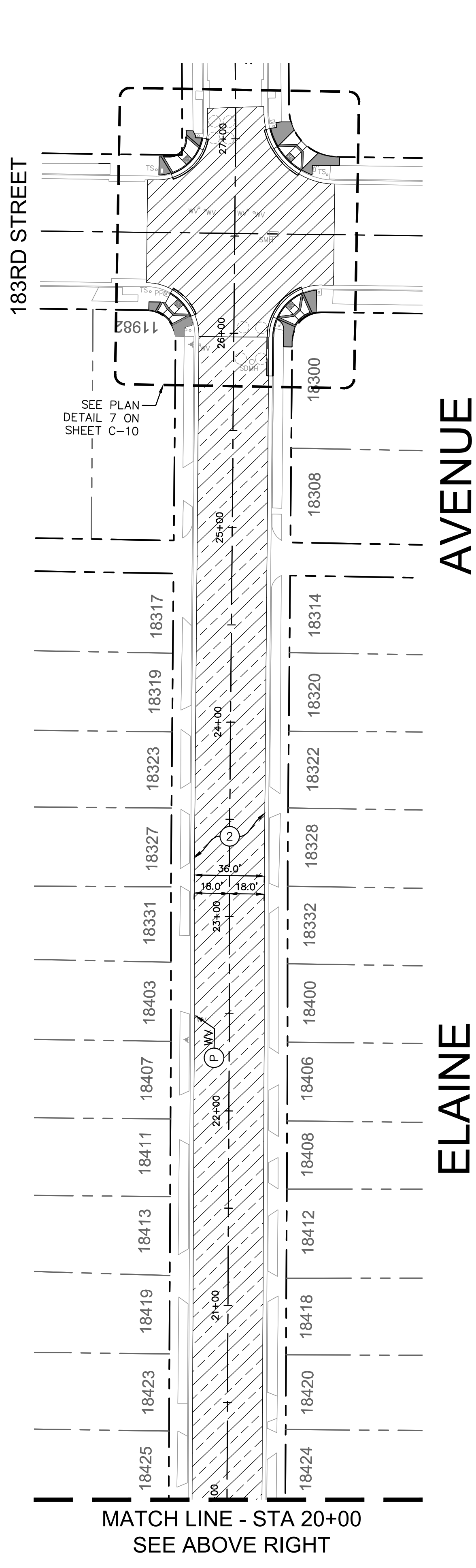


PROJECT: HSP AND TRAFFIC CALMING PROJECT
 SHEET: DEVLIN AVENUE, 187TH AND DROXFORD STREET STREET IMPROVEMENT PLAN

CITY OF ARTESIA
 DEPARTMENT OF ENGINEERING

C-4

SHEET NO. 4 OF 18



1833RD STREET

18300

18317

18319

18323

18327

18331

18403

18407

18411

18413

18419

18423

18425

18424

18418

18412

18408

18406

18400

18332

18328

18322

18320

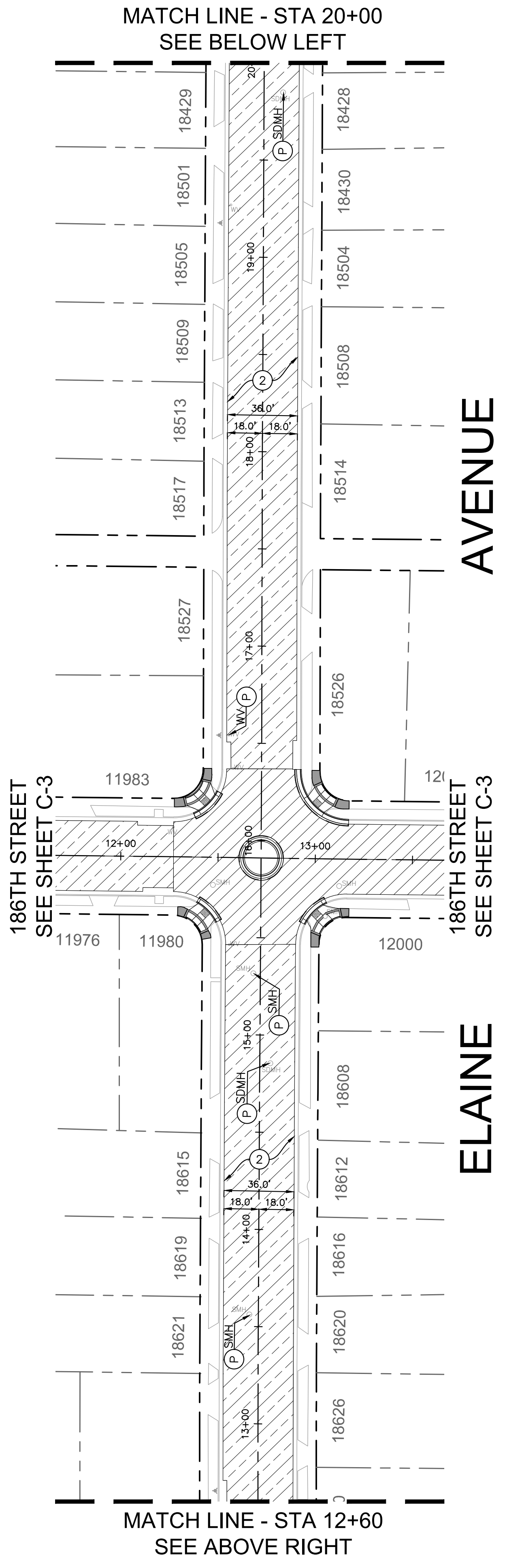
18314

18308

18300

AVENUE

ELAINE



1866TH STREET

18527

18517

18513

18509

18505

18501

18429

11976

11980

11983

12000

18621

18619

18615

18612

18608

18626

18620

18616

18612

18608

18526

18514

18508

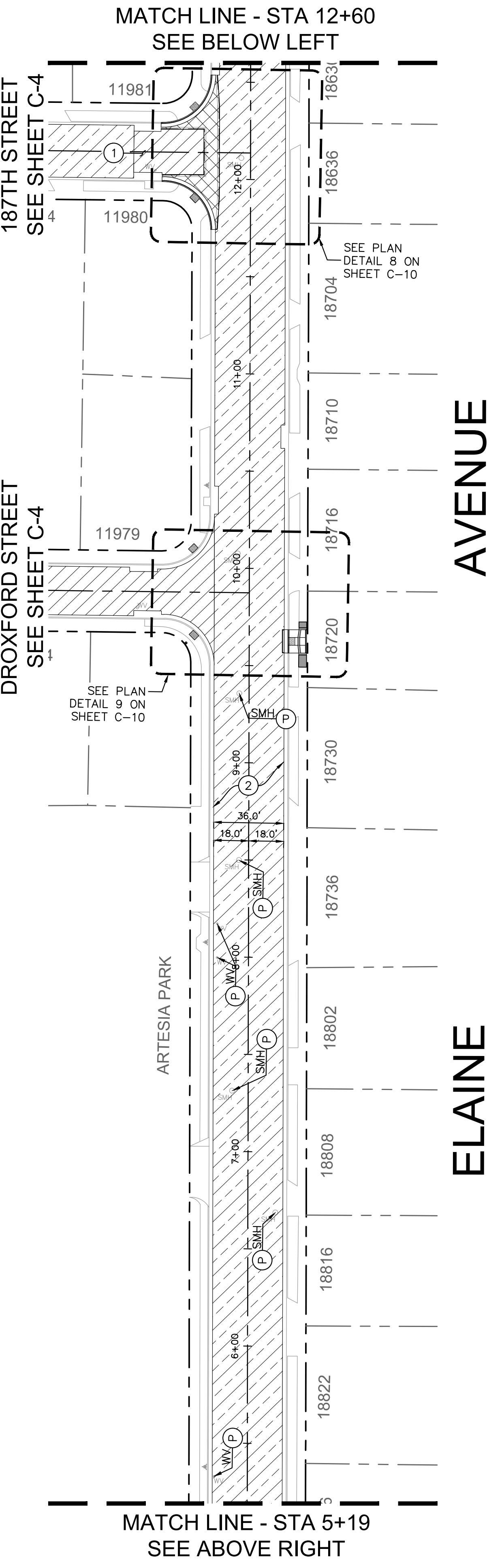
18504

18430

18428

AVENUE

ELAINE



1877TH STREET

18720

18716

18710

18704

18636

18631

11979

11980

11981

18720

18716

18710

18704

18636

18631

18736

18730

18722

18802

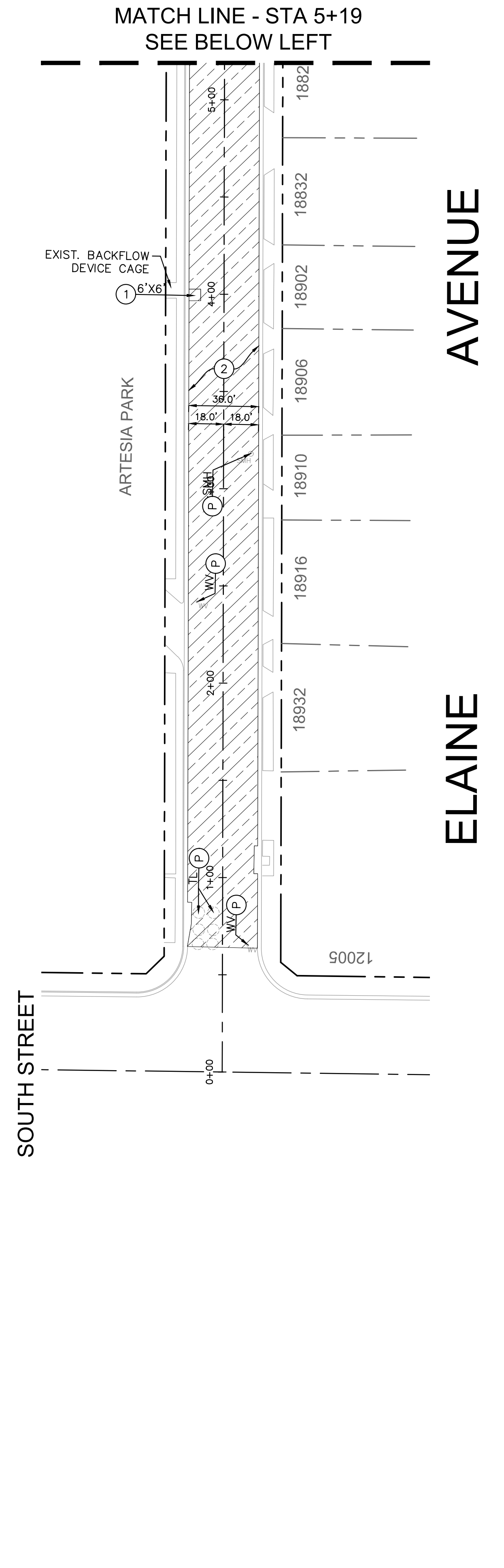
18808

18816

18822

AVENUE

ELAINE



18932

18916

18910

18906

18832

1882

AVENUE

ELAINE

GENERAL NOTES

1. THE CONTRACTOR SHALL FURNISH, PRESERVE, AND RE-ESTABLISH ALL EXISTING "STREET CENTERLINE" MONUMENTS THAT ARE RECORDED AND/OR IDENTIFIED IN THE LOS ANGELES COUNTY SURVEYOR'S OFFICE AND/OR FIELD BOOK. THE CONTRACTOR SHALL ALSO ESTABLISH ALL CONTROLS AND ELEVATIONS AS REQUIRED AND AS SHOWN ON THE PLAN OR AS DIRECTED BY THE ENGINEER.

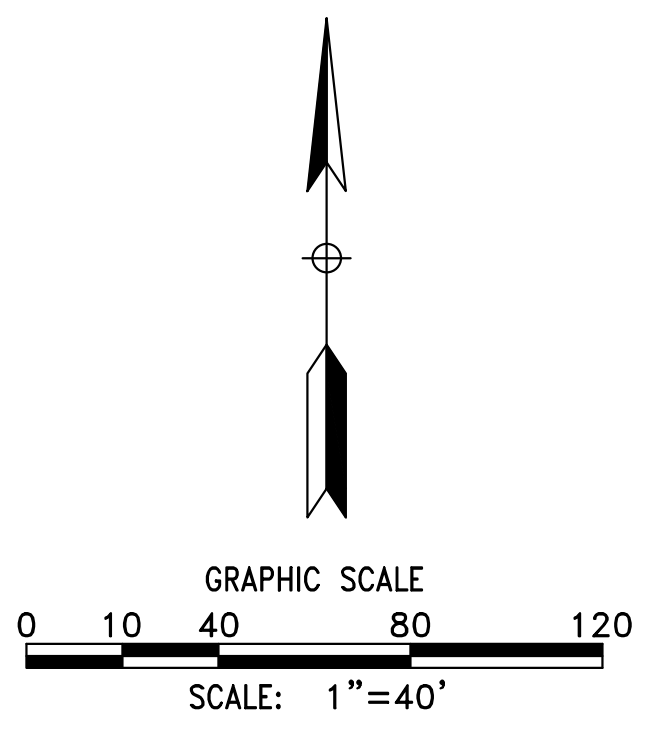
CONSTRUCTION NOTES

1. COLD MILL 2" OF EXISTING ASPHALT CONCRETE AND REPAVE WITH A MINIMUM OF 2" ASPHALT (C2 PG 64-10)
2. SEAL CRACKS AND INSTALL SLURRY SEAL. REMOVE ALL EXISTING STRIPING, MARKERS, AND PAVEMENT MARKINGS PRIOR TO INSTALLATION.

(P) PROTECT IN PLACE (ITEM AS NOTED)

LEGEND

- [Hatched Box] LIMITS OF COLD MILL AND ASPHALT OVERLAY
- [Hatched Box] LIMITS OF SLURRY SEAL
- [Dashed Line] APPARENT CENTERLINE



REVISIONS:		
NO.	DATE	DESCRIPTION



PLANS PREPARED BY:

CITY OF ARTESIA, CA
 ENGINEERING DIVISION PUBLIC WORKS DEPARTMENT
 18747 CLARKDALE AVENUE
 ARTESIA, CA 90701
 PHONE: 562-865-6262

ERNESTO SANCHEZ
 PUBLIC WORKS MANAGER

RON IBARRA, PE
 CIVIL ENGINEER

	DATE
DESIGNED BY: R. IBARRA	4/2/2026
DRAFTED BY: R. IBARRA	4/2/2026
CHECKED BY: E. SANCHEZ	4/2/2026
APPROVED BY: A. AVALOS	4/2/2026



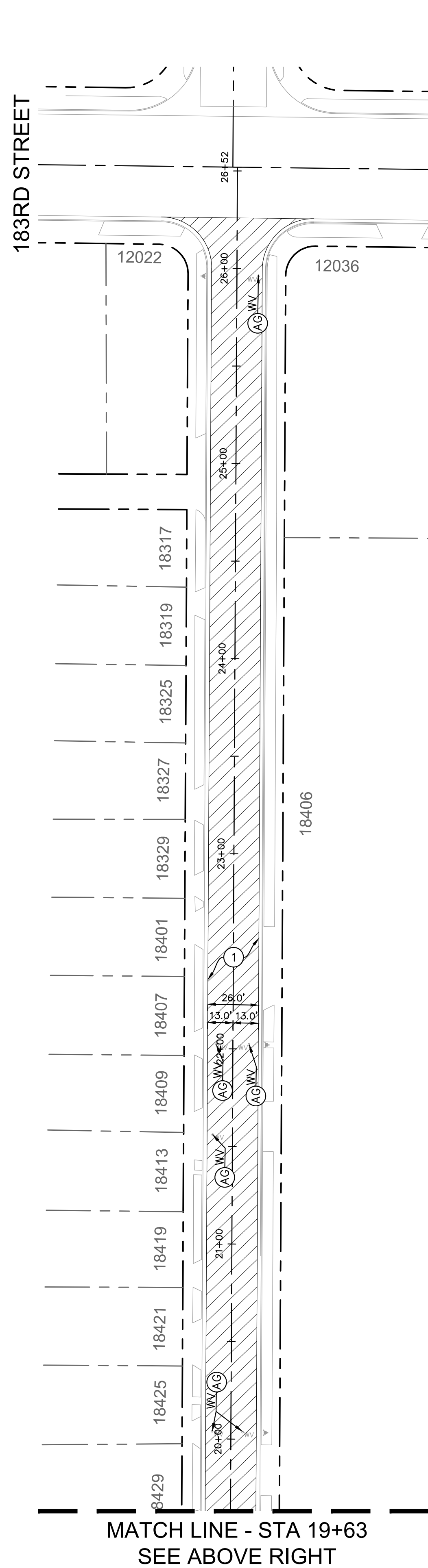
PROJECT: HSIP AND TRAFFIC CALMING PROJECT

SHEET: ELAINE AVENUE STREET IMPROVEMENT PLAN

CITY OF ARTESIA
 DEPARTMENT OF ENGINEERING

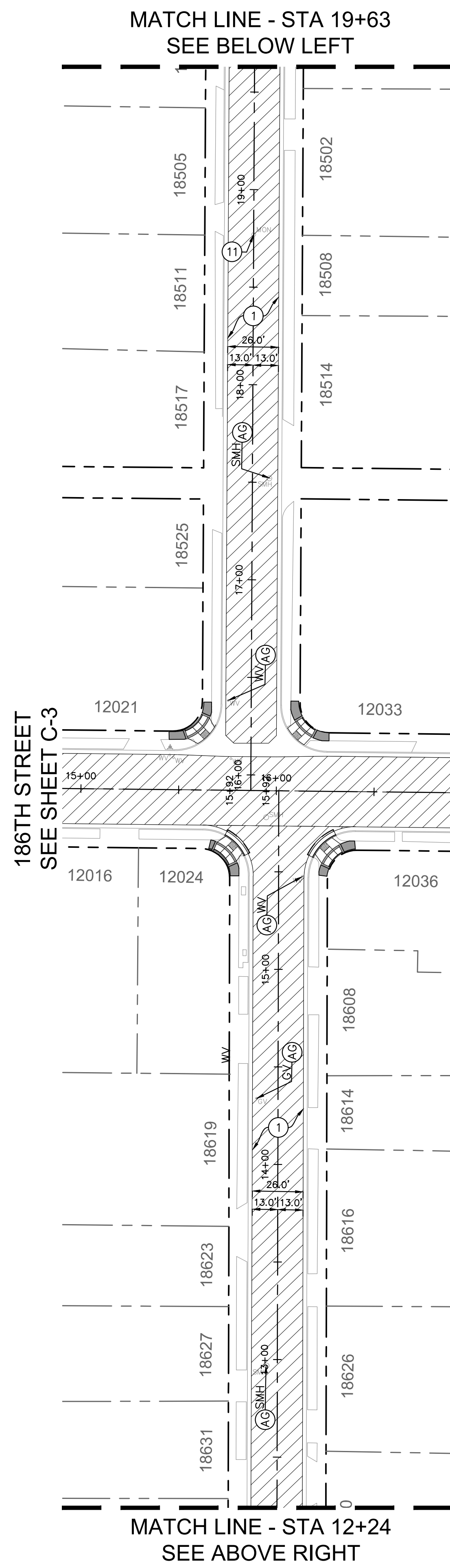
C-5

SHEET NO. 5 OF 18



MATCH LINE - STA 19+63
SEE ABOVE RIGHT

GRAYLAND AVENUE

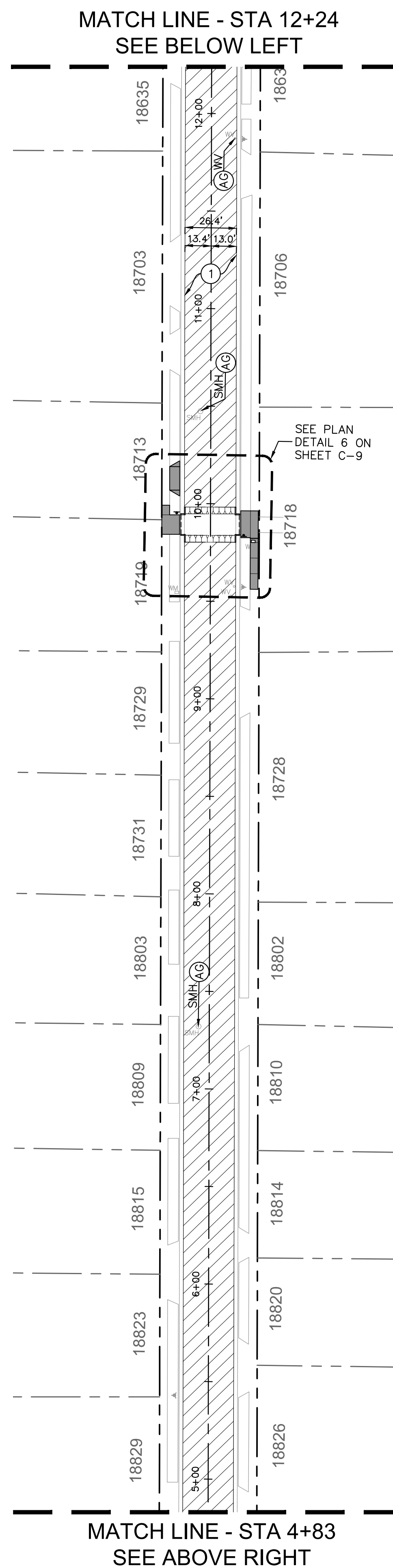


MATCH LINE - STA 12+24
SEE ABOVE RIGHT

186TH STREET
SEE SHEET C-3

186TH STREET
SEE SHEET C-3

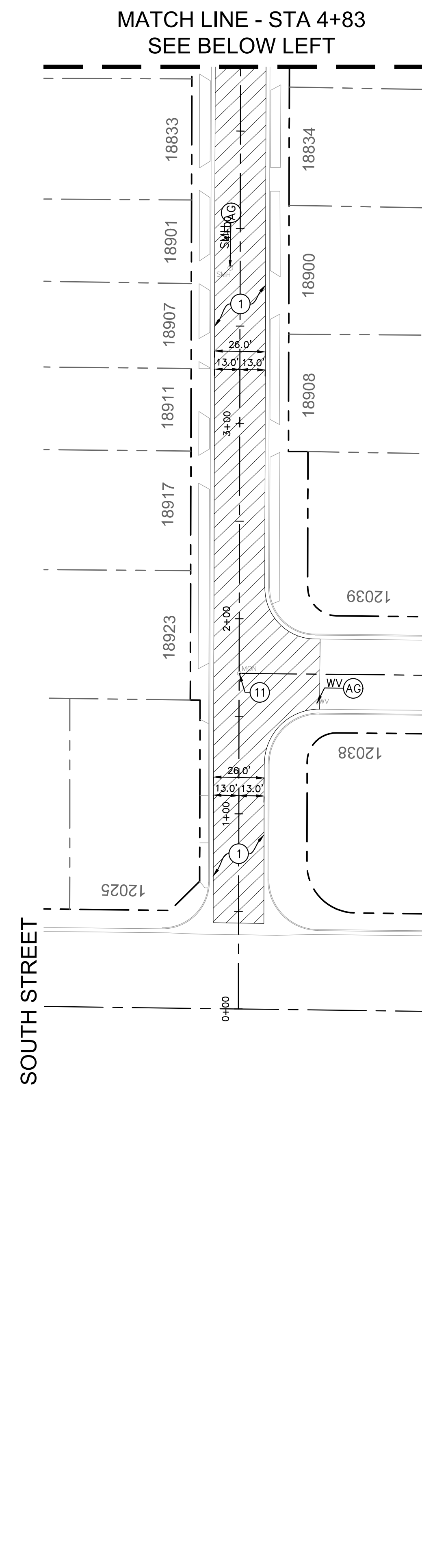
GRAYLAND AVENUE



MATCH LINE - STA 4+83
SEE ABOVE RIGHT

SEE PLAN
DETAIL 6 ON
SHEET C-9

GRAYLAND AVENUE



MATCH LINE - STA 4+83
SEE BELOW LEFT

SOUTH STREET

CHARLWOOD
STREET

GRAYLAND AVENUE

GENERAL NOTES

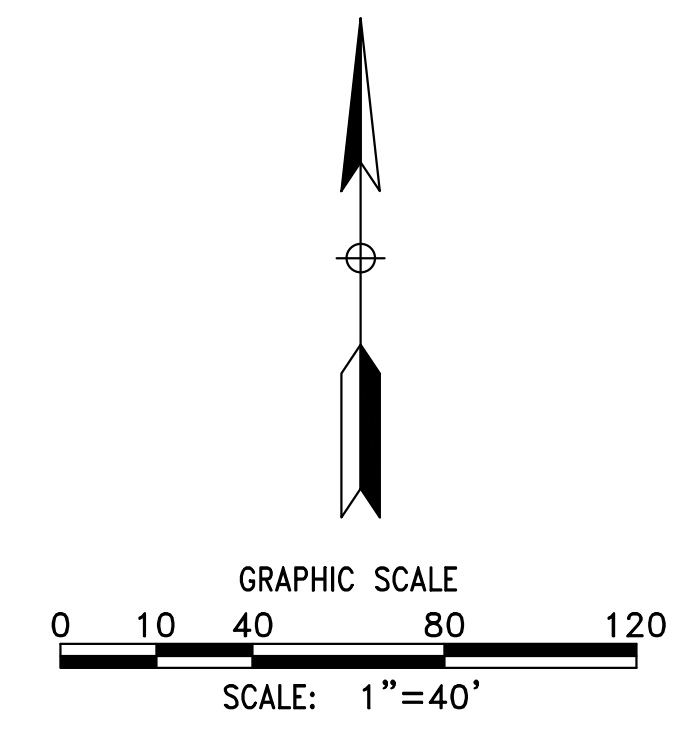
1. THE CONTRACTOR SHALL FURNISH, PRESERVE, AND RE-ESTABLISH ALL EXISTING "STREET CENTERLINE" MONUMENTS THAT ARE RECORDED AND/OR IDENTIFIED IN THE LOS ANGELES COUNTY SURVEYOR'S OFFICE AND/OR FIELD BOOK. THE CONTRACTOR SHALL ALSO ESTABLISH ALL CONTROLS AND ELEVATIONS AS REQUIRED AND AS SHOWN ON THE PLAN OR AS DIRECTED BY THE ENGINEER.

CONSTRUCTION NOTES

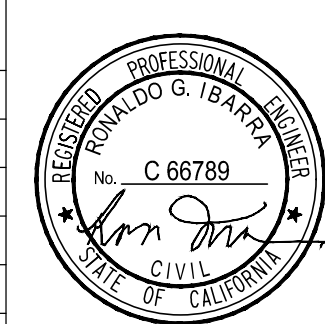
- ① COLD MILL 2" OF EXISTING ASPHALT CONCRETE AND REPAVE WITH A MINIMUM OF 2" ASPHALT (C2 PG 64-10)
- ⑪ ADJUST TO GRADE SURVEY MONUMENT. SEE GENERAL NOTE 1 HEREON.
- AG ADJUST TO GRADE (ITEM AS NOTED)

LEGEND

- LIMITS OF COLD MILL AND ASPHALT OVERLAY
- APPARENT CENTERLINE



REVISIONS:		
NO.	DATE	DESCRIPTION



PLANS PREPARED BY:
CITY OF ARTESIA, CA
ENGINEERING DIVISION PUBLIC WORKS DEPARTMENT
18747 CLARKDALE AVENUE
ARTESIA, CA 90701
PHONE: 562-865-6262

ERNESTO SANCHEZ
PUBLIC WORKS MANAGER

RON IBARRA, PE
CIVIL ENGINEER

	DATE
DESIGNED BY: R. IBARRA	4/2/2026
DRAFTED BY: R. IBARRA	4/2/2026
CHECKED BY: E. SANCHEZ	4/2/2026
APPROVED BY: A. AVALOS	4/2/2026

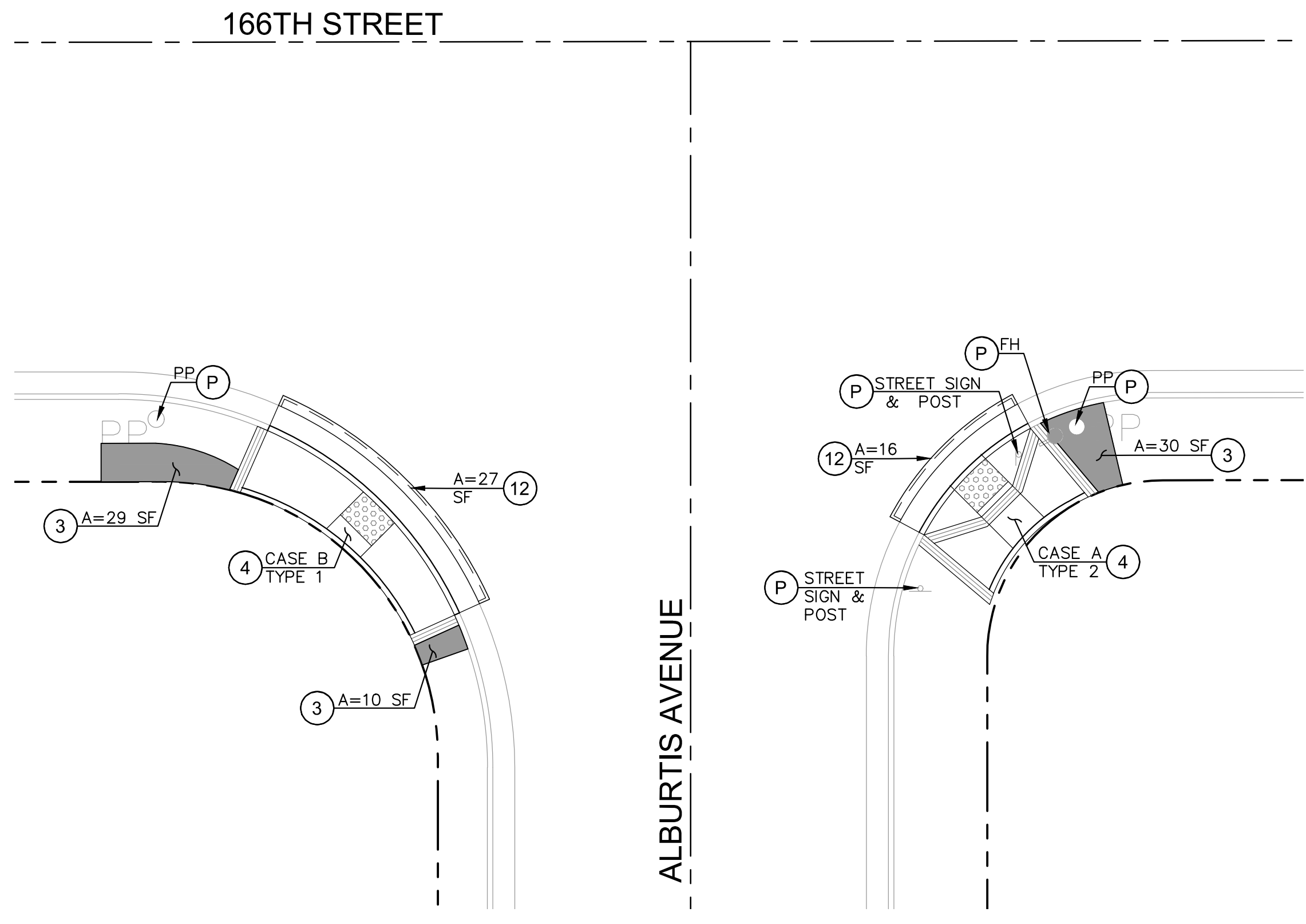


PROJECT: HSIP AND TRAFFIC CALMING PROJECT
SHEET: GRAYLAND AVENUE STREET IMPROVEMENT PLAN
CITY OF ARTESIA
DEPARTMENT OF ENGINEERING

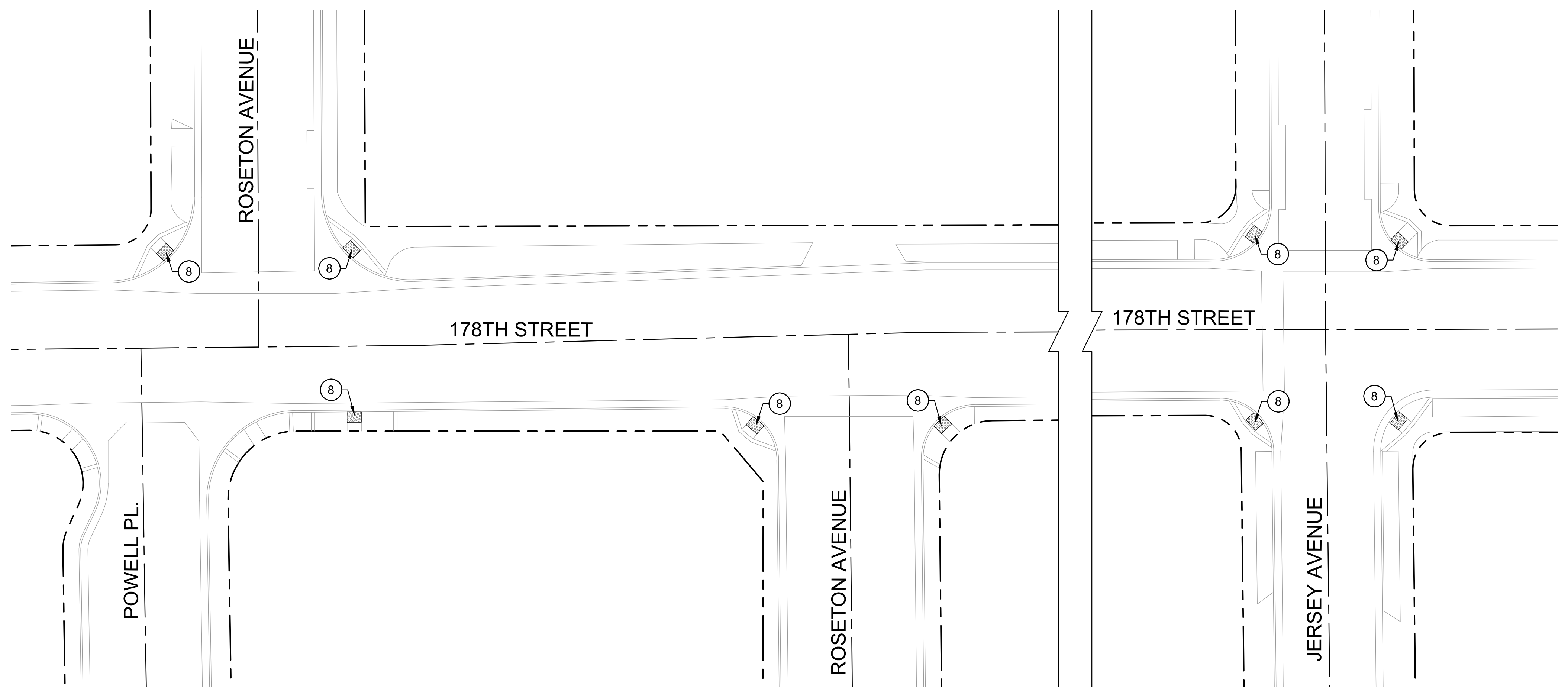
C-6



ASHWORTH ST. & CLARKDALE AVE. IMPROVEMENT PLAN
SCALE: 1"=10'



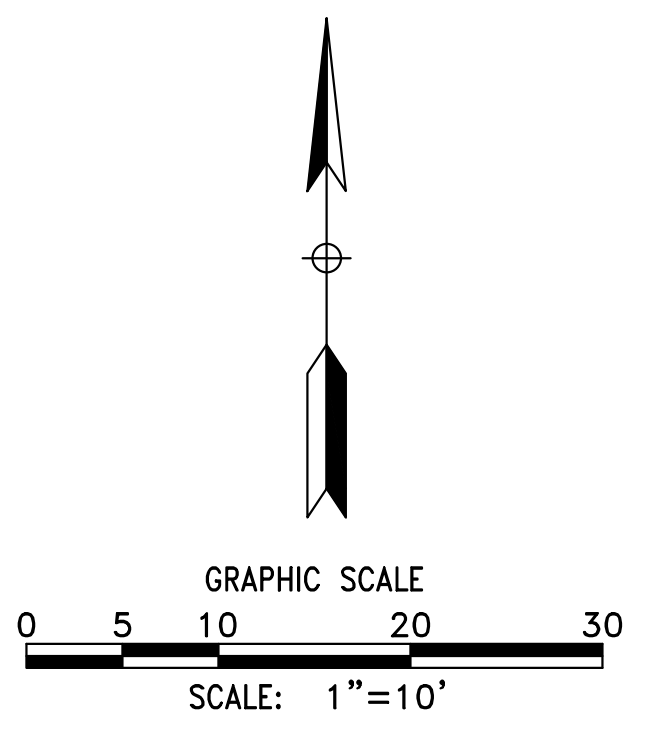
166TH ST. & ALBURDIS AVE. IMPROVEMENT PLAN
SCALE: 1"=10'



178TH ST. AND ROSETON AVE. TO JERSEY AVE. IMPROVEMENT PLAN
SCALE: 1"=20'

- CONSTRUCTION NOTES**
- ③ REMOVE AND DISPOSE OF EXISTING CONCRETE SIDEWALK AND CONSTRUCT SIDEWALK PER CITY OF ARTESIA STD. PLAN 112-2. SEE DETAIL 1 ON SHEET C-20. AREA PER PLAN.
 - ④ REMOVE AND DISPOSE OF EXISTING CURB RAMP AND SIDEWALK AND CONSTRUCT CURB RAMP PER SPPWC STD. PLAN. 111-5, CASE AND TYPE PER PLAN, WITH SECTION B-B RETAINING CURB.
 - ⑧ INSTALL 4'X3' SURFACE MOUNTED ADA TRUNCATED DOMES (FEDERAL YELLOW)
 - ⑫ SAWCUT 1' FROM EDGE OF GUTTER AND REMOVE AND DISPOSE OF EXISTING ASPHALT PAVEMENT AND BASE AND INSTALL 6" ASPHALT OVER 6" A.B. (90% COMPACTION) OVER COMPACTED SUBGRADE (95% COMPACTION). AREA PER PLAN.
 - (P) PROTECT IN PLACE (ITEM AS NOTED)

- LEGEND**
- LIMITS OF PCC SIDEWALK
 - - - APPARENT CENTERLINE



REVISIONS:

NO.	DATE	DESCRIPTION



PLANS PREPARED BY:
CITY OF ARTESIA, CA
ENGINEERING DIVISION PUBLIC WORKS DEPARTMENT
18747 CLARKDALE AVENUE
ARTESIA, CA 90701
PHONE: 562-865-6262

ERNESTO SANCHEZ
PUBLIC WORKS MANAGER

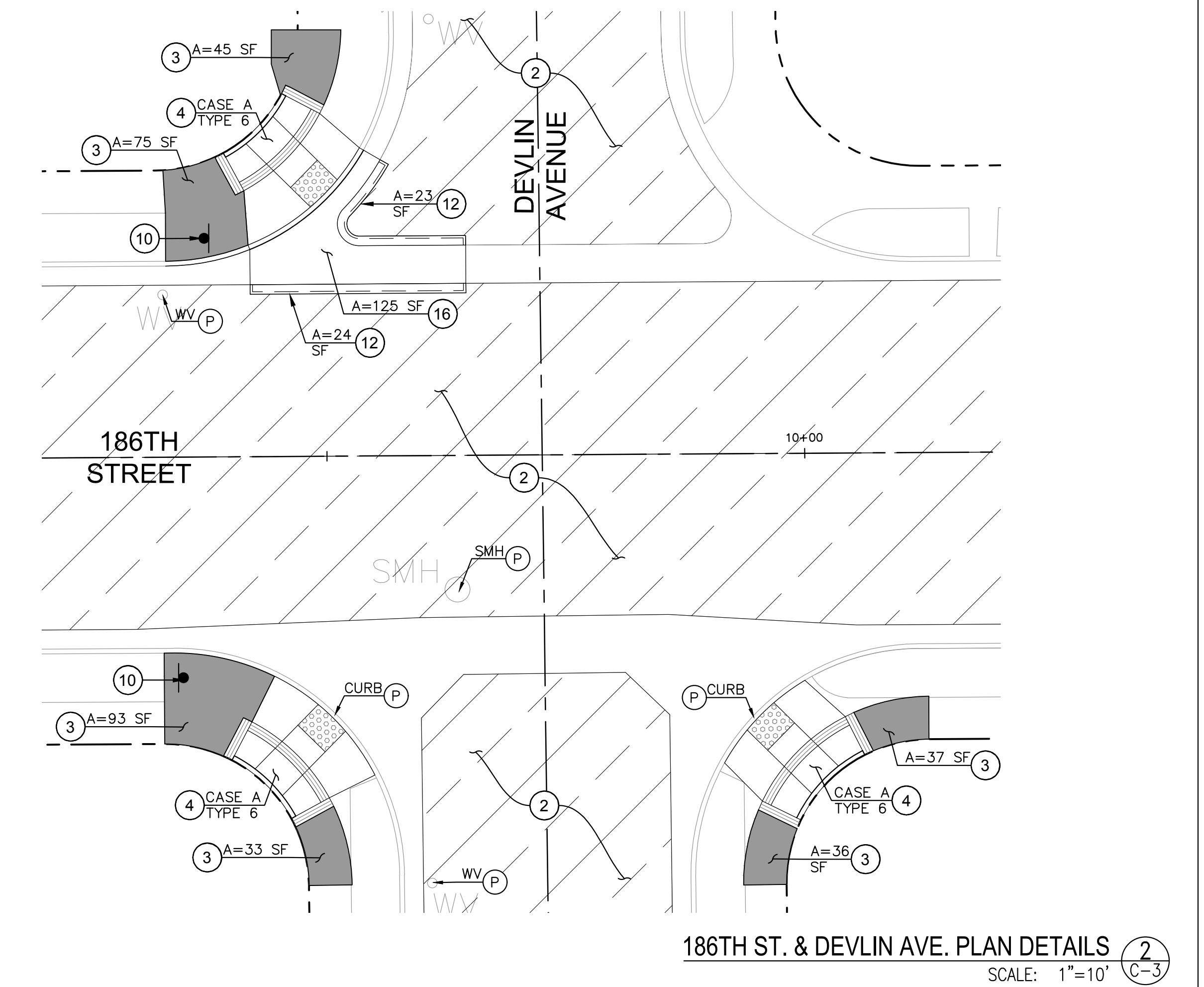
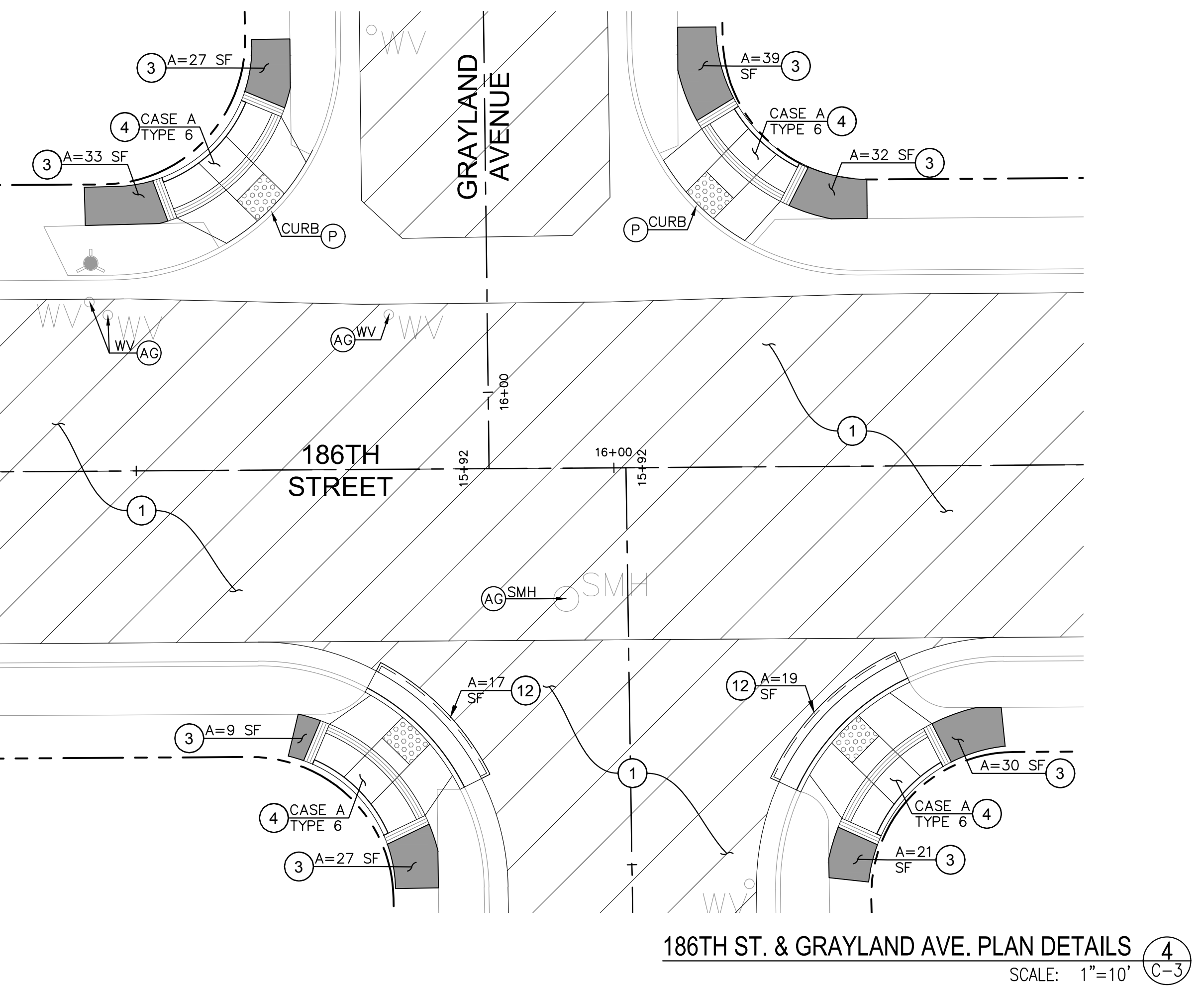
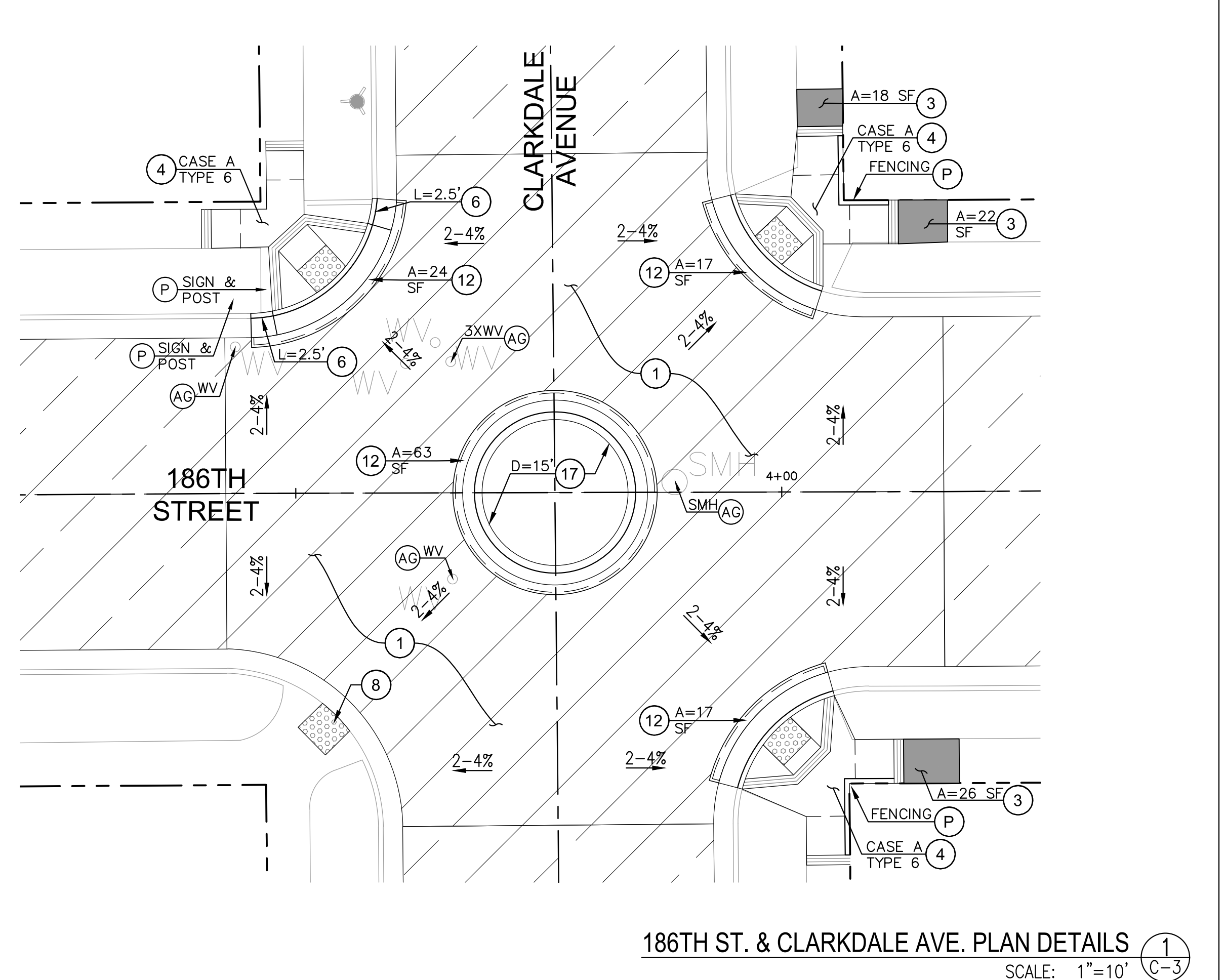
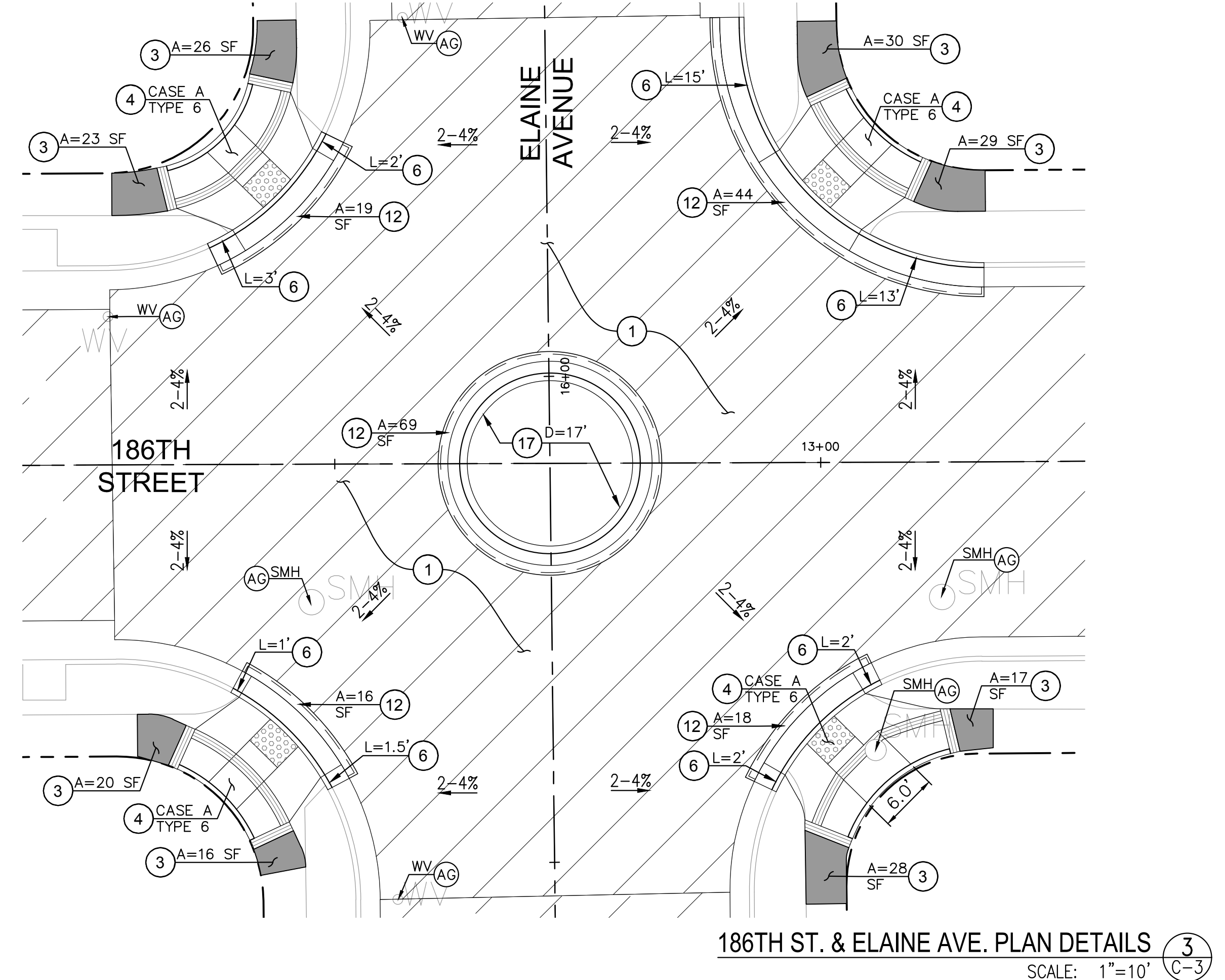
RON IBARRA, PE
CIVIL ENGINEER

	DATE
DESIGNED BY: R. IBARRA	4/2/2026
DRAFTED BY: R. IBARRA	4/2/2026
CHECKED BY: E. SANCHEZ	4/2/2026
APPROVED BY: A. AVALOS	4/2/2026



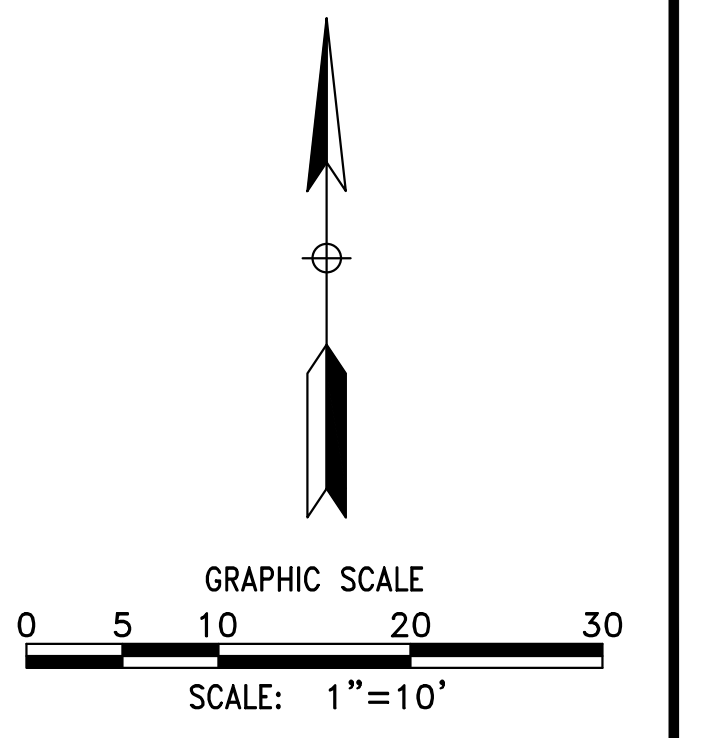
PROJECT: HSIP AND TRAFFIC CALMING PROJECT
SHEET: VARIOUS STREET INTERSECTIONS IMPROVEMENT PLAN
CITY OF ARTESIA
DEPARTMENT OF ENGINEERING

C-7



- GENERAL NOTES**
1. THE CONTRACTOR SHALL FURNISH, PRESERVE, AND RE-ESTABLISH ALL EXISTING "STREET CENTERLINE" MONUMENTS THAT ARE RECORDED AND/OR IDENTIFIED IN THE LOS ANGELES COUNTY SURVEYOR'S OFFICE AND/OR FIELD BOOK. THE CONTRACTOR SHALL ALSO ESTABLISH ALL CONTROLS AND ELEVATIONS AS REQUIRED AND AS SHOWN ON THE PLAN OR AS DIRECTED BY THE ENGINEER.
- CONSTRUCTION NOTES**
1. COLD MILL 2" OF EXISTING ASPHALT CONCRETE AND REPAVE WITH A MINIMUM OF 2" ASPHALT (C2 PG 64-10)
 2. SEAL CRACKS AND INSTALL SLURRY SEAL. REMOVE ALL EXISTING STRIPING, MARKERS, AND PAVEMENT MARKINGS PRIOR TO INSTALLATION.
 3. REMOVE AND DISPOSE OF EXISTING CONCRETE SIDEWALK AND CONSTRUCT SIDEWALK PER CITY OF ARTESIA STD. PLAN 112-2. SEE DETAIL 1 ON SHEET C-20. AREA PER PLAN.
 4. REMOVE AND DISPOSE OF EXISTING CURB RAMP AND SIDEWALK AND CONSTRUCT CURB RAMP PER SPPWC STD. PLAN. 111-5, CASE AND TYPE PER PLAN, WITH SECTION B-B RETAINING CURB.
 6. REMOVE AND DISPOSE OF EXIST. CONCRETE CURB & GUTTER AND CONSTRUCT PCC A2-8 CURB AND GUTTER PER SPPWC STD. PLAN 120-3. LENGTH PER PLAN.
 8. INSTALL 4'X3' SURFACE MOUNTED ADA TRUNCATED DOMES (FEDERAL YELLOW)
 10. INSTALL SOLAR POWERED RFB SYSTEM WITH PUSH BUTTON ACTIVATION AND W11-2 WITH ARROW SIGN, ON POLE WITH FOUNDATION. SEE DETAIL 16 ON SHEET C-22 FOR SIGN TYPE.
 12. SAWCUT 1' FROM EDGE OF GUTTER AND REMOVE AND DISPOSE OF EXISTING ASPHALT PAVEMENT AND BASE AND INSTALL 6" ASPHALT OVER 6" A.B. (90% COMPACTION) OVER COMPACTED SUBGRADE (95% COMPACTION). AREA PER PLAN.
 16. REMOVE AND RECONSTRUCT LONGITUDINAL GUTTER. MATCH EXISTING SECTION AND ESTABLISH POSITIVE DRAINAGE AT FLOWLINES.
 17. REMOVE AND DISPOSE OF EXISTING ASPHALT PAVEMENT STRUCTURAL SECTION AND CONSTRUCT ROUND ABOUT RAISED MEDIAN. DIAMETER (D) PER PLAN. SEE DETAIL 4 ON SHEET C-20.
- (P) PROTECT IN PLACE (ITEM AS NOTED)
(AG) ADJUST TO GRADE (ITEM AS NOTED)

- LEGEND**
- LIMITS OF COLD MILL AND ASPHALT OVERLAY
 - LIMITS OF SLURRY SEAL
 - LIMITS OF PCC SIDEWALK
 - APPARENT CENTERLINE



REVISIONS:

NO.	DATE	DESCRIPTION



PLANS PREPARED BY:
CITY OF ARTESIA, CA
ENGINEERING DIVISION PUBLIC WORKS DEPARTMENT
18747 CLARKDALE AVENUE
ARTESIA, CA 90701
PHONE: 562-865-6262

ERNESTO SANCHEZ
PUBLIC WORKS MANAGER

RON IBARRA, PE
CIVIL ENGINEER

DESIGNED BY: R. IBARRA 4/2/2026
DRAFTED BY: R. IBARRA 4/2/2026
CHECKED BY: E. SANCHEZ 4/2/2026
APPROVED BY: A. AVALOS 4/2/2026



PROJECT: HSIP AND TRAFFIC CALMING PROJECT
SHEET: STREET IMPROVEMENT PLAN DETAILS - 1
CITY OF ARTESIA
DEPARTMENT OF ENGINEERING

C-8

SHEET NO. 8 OF 18




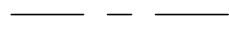
GENERAL NOTES

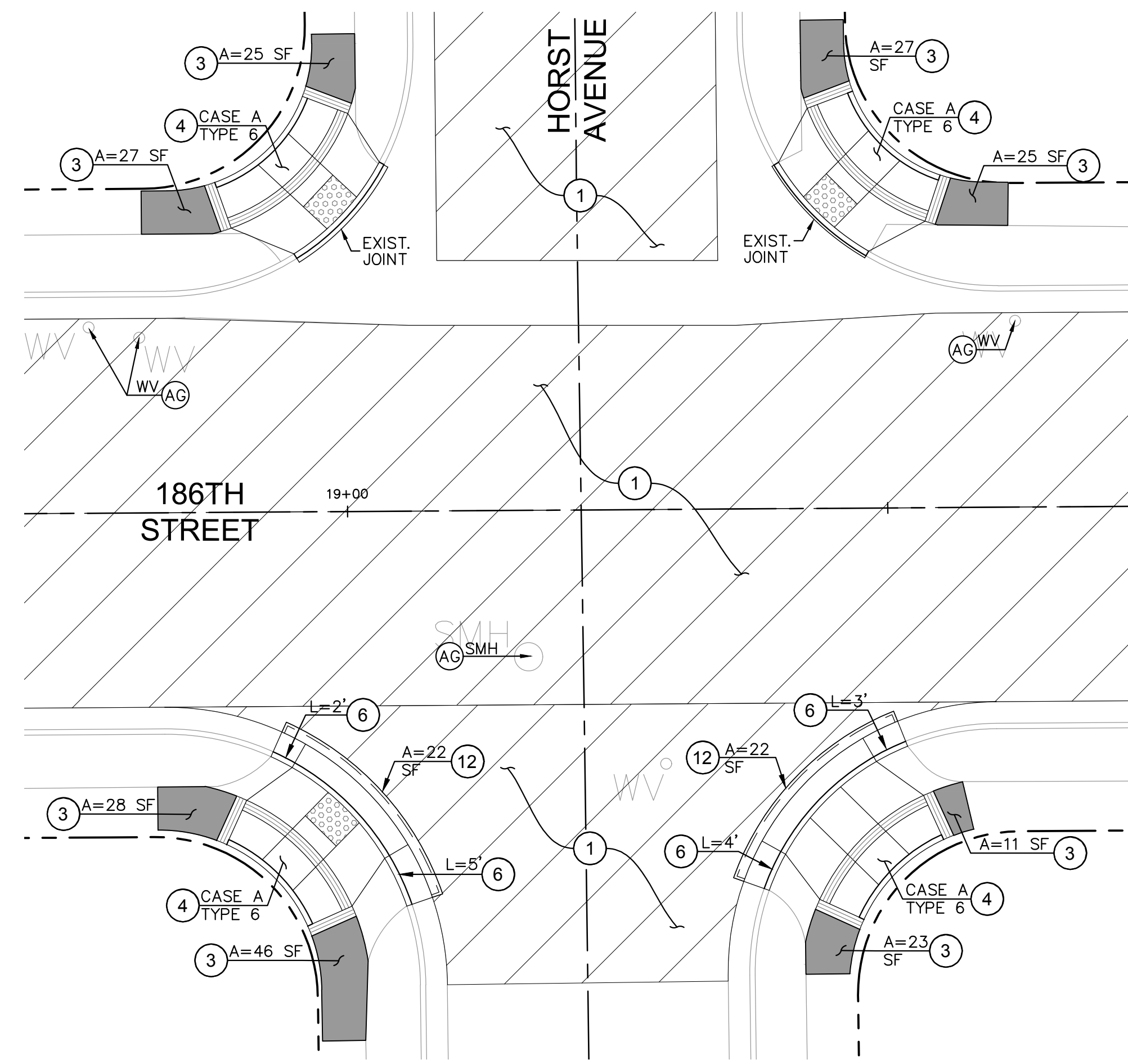
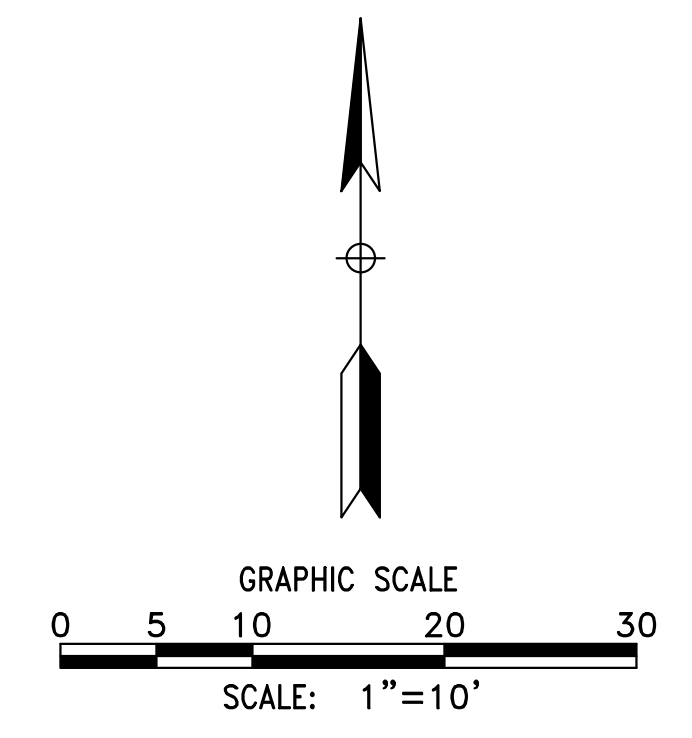
1. THE CONTRACTOR SHALL FURNISH, PRESERVE, AND RE-ESTABLISH ALL EXISTING "STREET CENTERLINE" MONUMENTS THAT ARE RECORDED AND/OR IDENTIFIED IN THE LOS ANGELES COUNTY SURVEYOR'S OFFICE AND/OR FIELD BOOK. THE CONTRACTOR SHALL ALSO ESTABLISH ALL CONTROLS AND ELEVATIONS AS REQUIRED AND AS SHOWN ON THE PLAN OR AS DIRECTED BY THE ENGINEER.

CONSTRUCTION NOTES

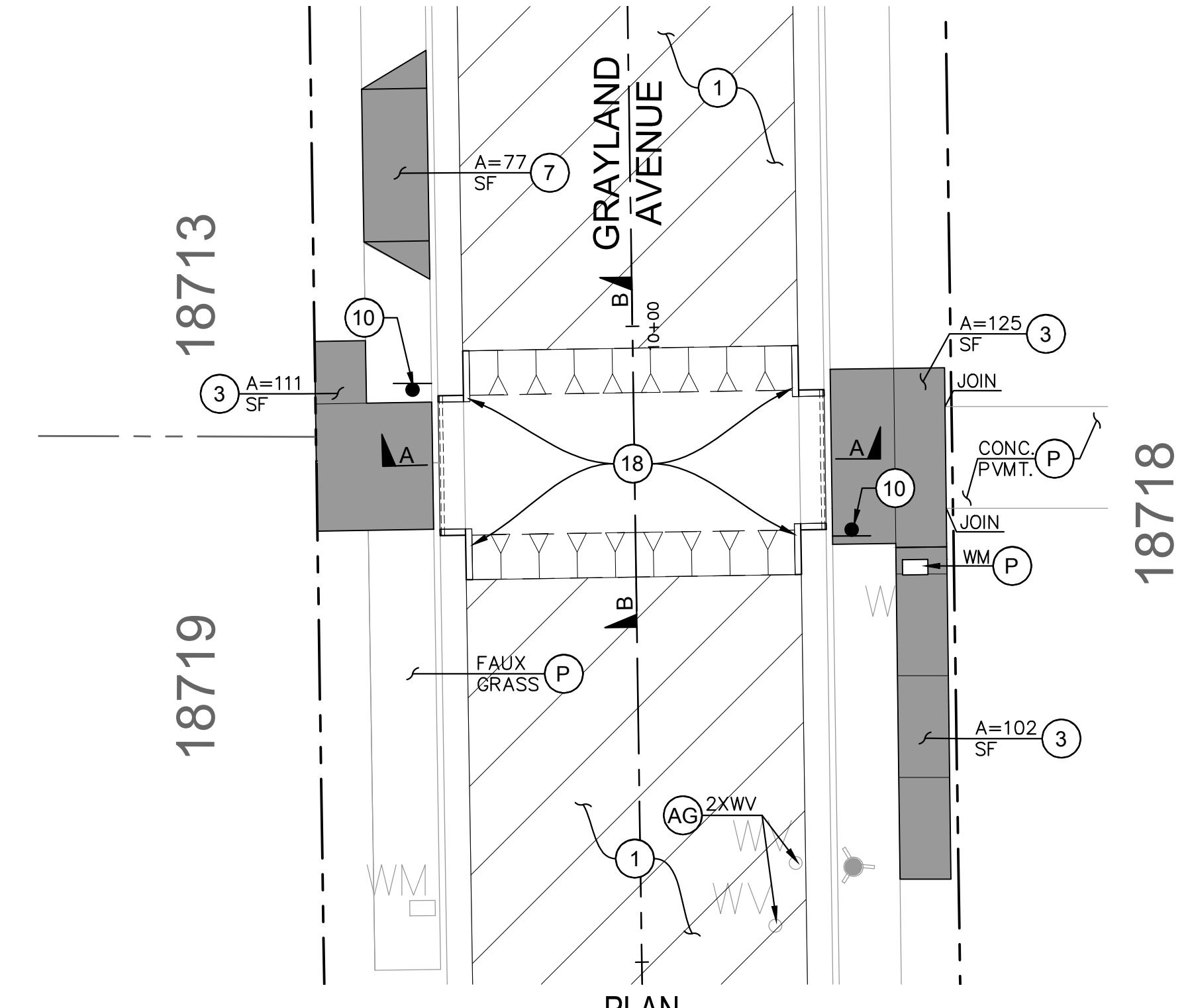
1. COLD MILL 2" OF EXISTING ASPHALT CONCRETE AND REPAVE WITH A MINIMUM OF 2" ASPHALT (C2 PG 64-10)
 2. SEAL CRACKS AND INSTALL SLURRY SEAL. REMOVE ALL EXISTING STRIPING, MARKERS, AND PAVEMENT MARKINGS PRIOR TO INSTALLATION.
 3. REMOVE AND DISPOSE OF EXISTING CONCRETE SIDEWALK AND CONSTRUCT SIDEWALK PER CITY OF ARTESIA STD. PLAN 112-2. SEE DETAIL 1 ON SHEET C-20. AREA PER PLAN.
 4. REMOVE AND DISPOSE OF EXISTING CURB RAMP AND SIDEWALK AND CONSTRUCT CURB RAMP PER SPPWC STD. PLAN 111-5, CASE AND TYPE PER PLAN, WITH SECTION B-B RETAINING CURB.
 6. REMOVE AND DISPOSE OF EXIST. CONCRETE CURB & GUTTER AND CONSTRUCT PCC A2-B CURB AND GUTTER PER SPPWC STD. PLAN 120-3. LENGTH PER PLAN.
 7. REMOVE AND DISPOSE OF EXISTING CONCRETE DRIVEWAY PAVEMENT AND CONSTRUCT PCC DRIVEWAY PER CITY OF ARTESIA STD. PLAN 110-2. SEE DETAIL 2 ON SHEET C-20.
 10. INSTALL SOLAR POWERED RFB SYSTEM WITH PUSH BUTTON ACTIVATION AND W11-2 WITH ARROW SIGN, ON POLE WITH FOUNDATION. SEE DETAIL 16 ON SHEET C-22 FOR SIGN TYPE.
 12. SAWCUT 1' FROM EDGE OF GUTTER AND REMOVE AND DISPOSE OF EXISTING ASPHALT PAVEMENT AND BASE AND INSTALL 6" ASPHALT OVER 6" A.B. (90% COMPACTION) OVER COMPACTED SUBGRADE (95% COMPACTION). AREA PER PLAN.
 18. CONSTRUCT RAISED CROSSWALK PER SECTION "A-A" AND "B-B" INCLUDING CONSTRUCTION OF RETAINING CURB PER DETAIL "C" AT FOUR CORNERS.
- (P) PROTECT IN PLACE (ITEM AS NOTED)
(AG) ADJUST TO GRADE (ITEM AS NOTED)

LEGEND

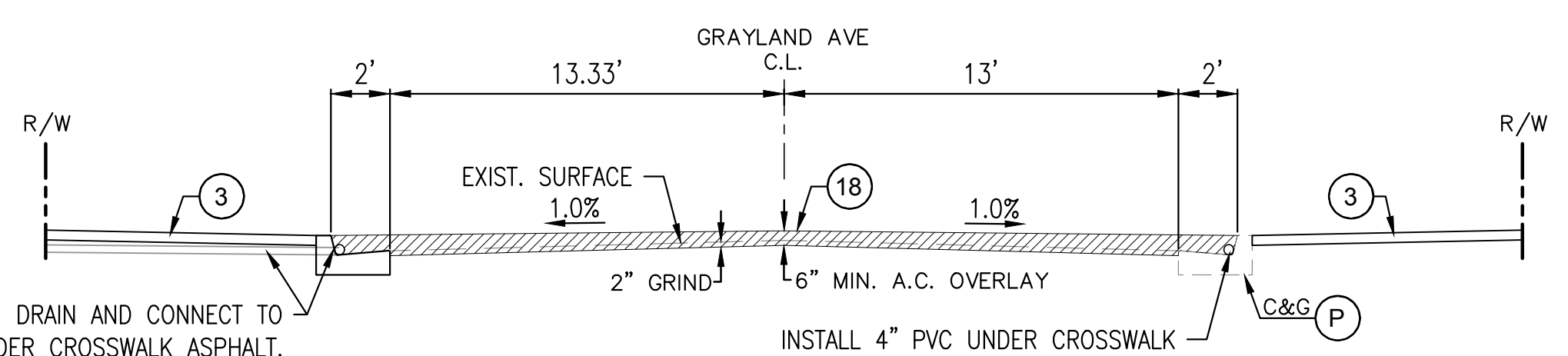
-  LIMITS OF COLD MILL AND ASPHALT OVERLAY
-  LIMITS OF SLURRY SEAL
-  LIMITS OF PCC SIDEWALK
-  APPARENT CENTERLINE



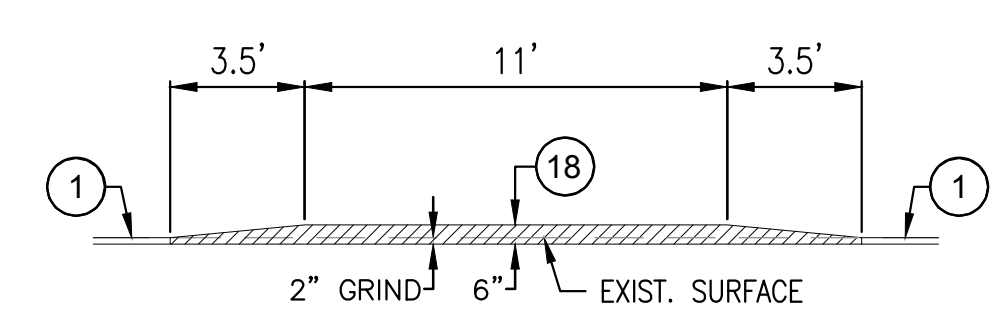
186TH ST. & HORST AVE. PLAN DETAILS (5)
SCALE: 1"=10' (C-3)



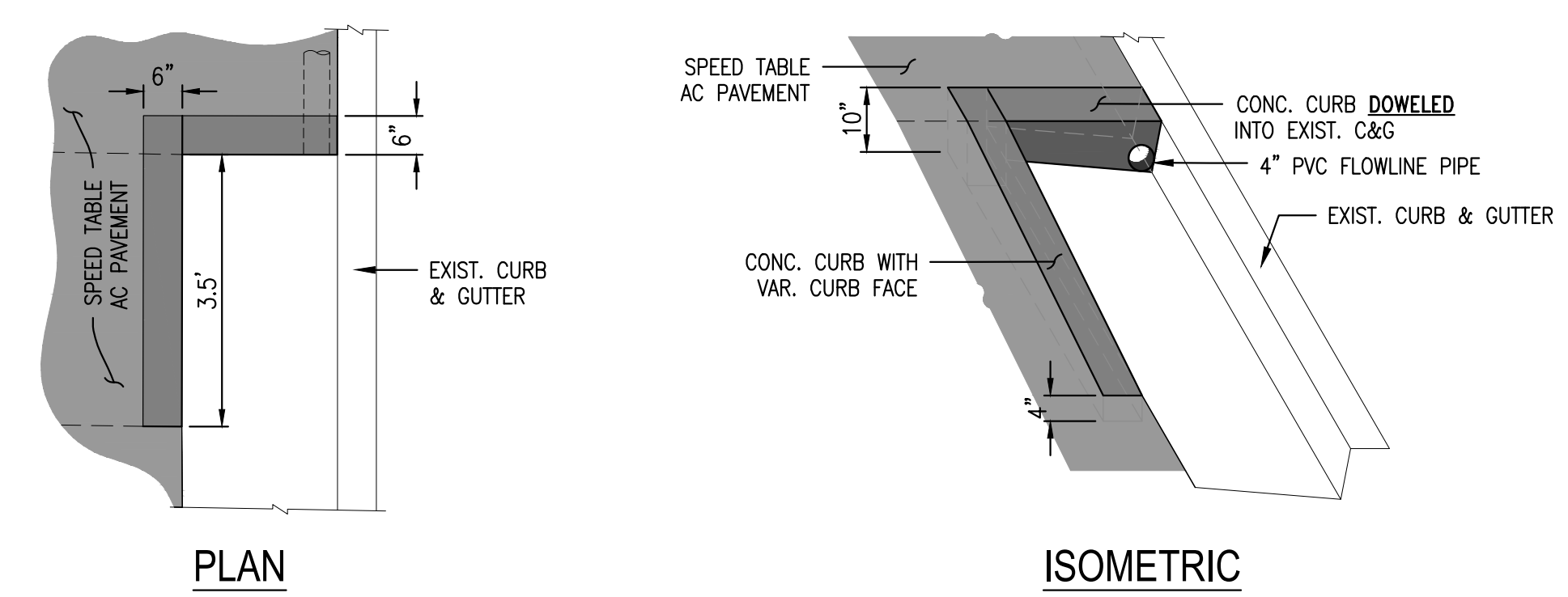
PLAN
SCALE: 1"=10'



SECTION A-A
SCALE: 1"=5'



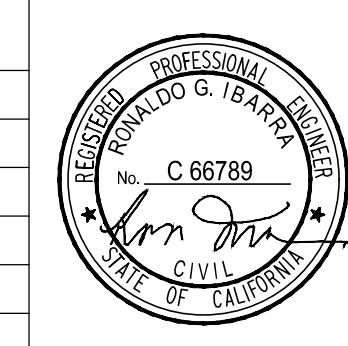
SECTION B-B
SCALE: 1"=5'



DETAIL C: RETAINING CURB
SCALE: 1"=2'

18718 GRAYLAND AVE. DETAILS (6)
SCALE: VARIES (C-6)

REVISIONS:		
NO.	DATE	DESCRIPTION



PLANS PREPARED BY:
CITY OF ARTESIA, CA
ENGINEERING DIVISION PUBLIC WORKS DEPARTMENT
18747 CLARKDALE AVENUE
ARTESIA, CA 90701
PHONE: 562-865-6262

ERNESTO SANCHEZ
PUBLIC WORKS MANAGER

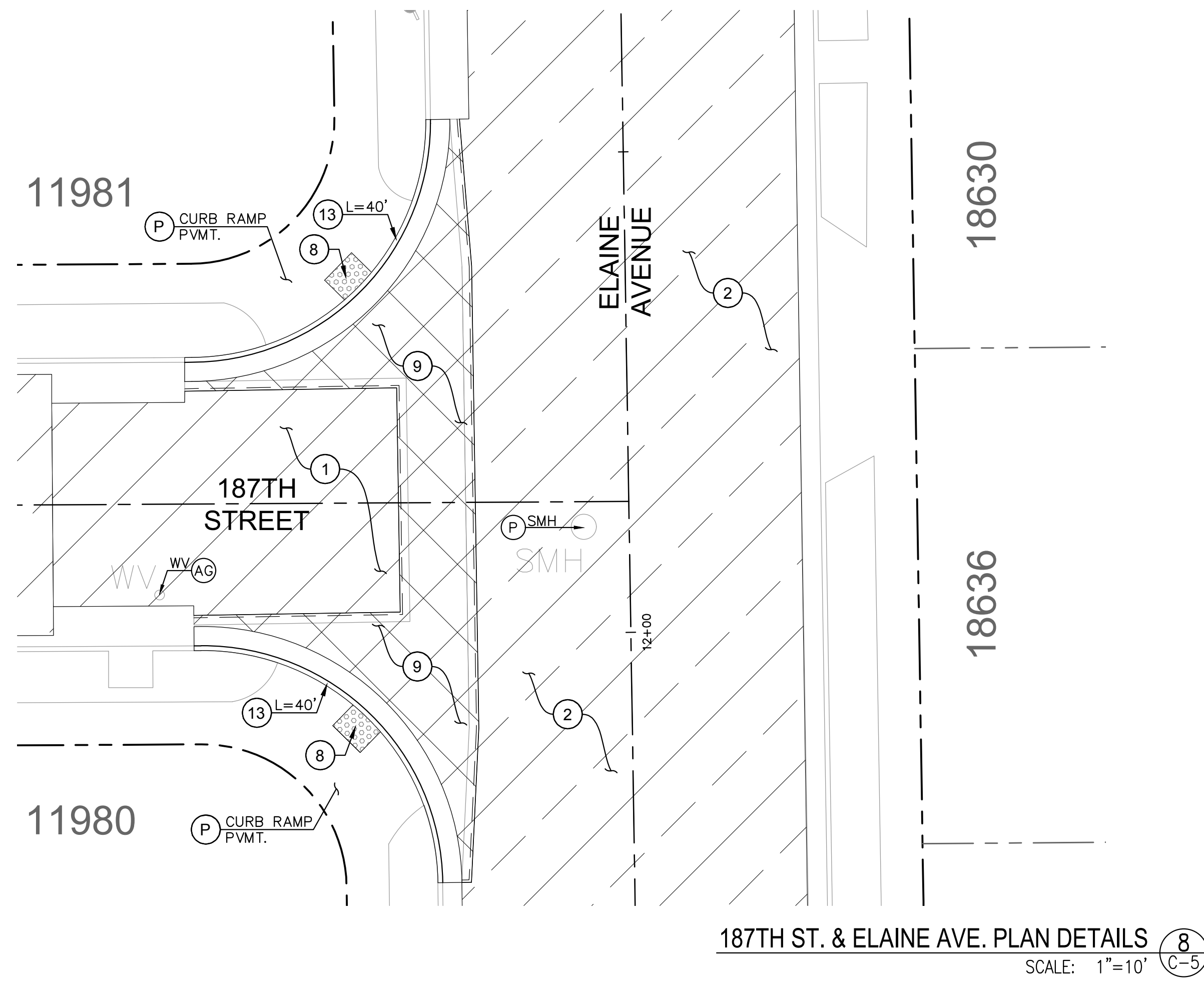
RON IBARRA, PE
CIVIL ENGINEER

	DATE
DESIGNED BY: R. IBARRA	4/2/2026
DRAFTED BY: R. IBARRA	4/2/2026
CHECKED BY: E. SANCHEZ	4/2/2026
APPROVED BY: A. AVALOS	4/2/2026

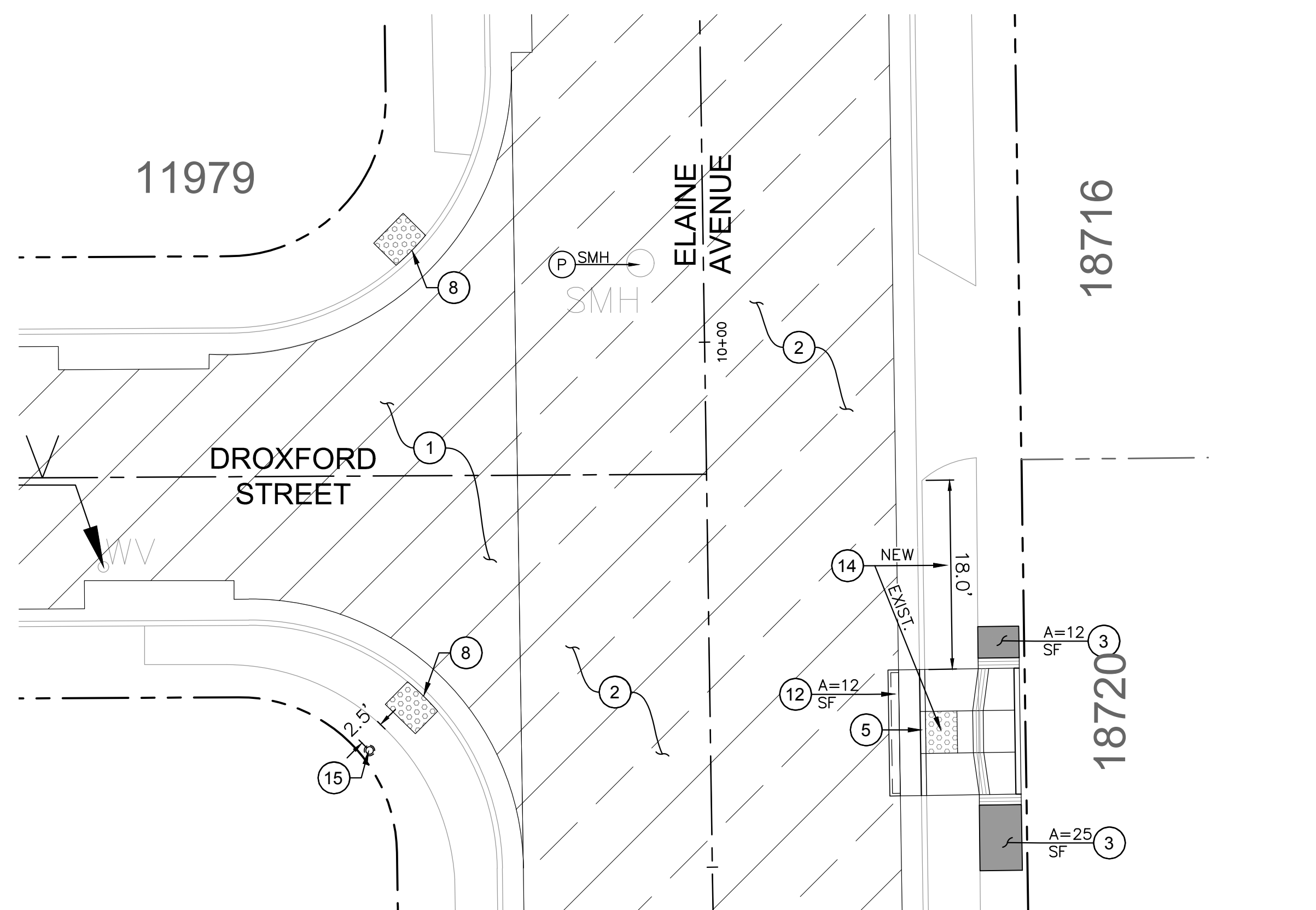


PROJECT: HSIP AND TRAFFIC CALMING PROJECT
SHEET: STREET IMPROVEMENT
PLAN DETAILS - 2
CITY OF ARTESIA
DEPARTMENT OF ENGINEERING

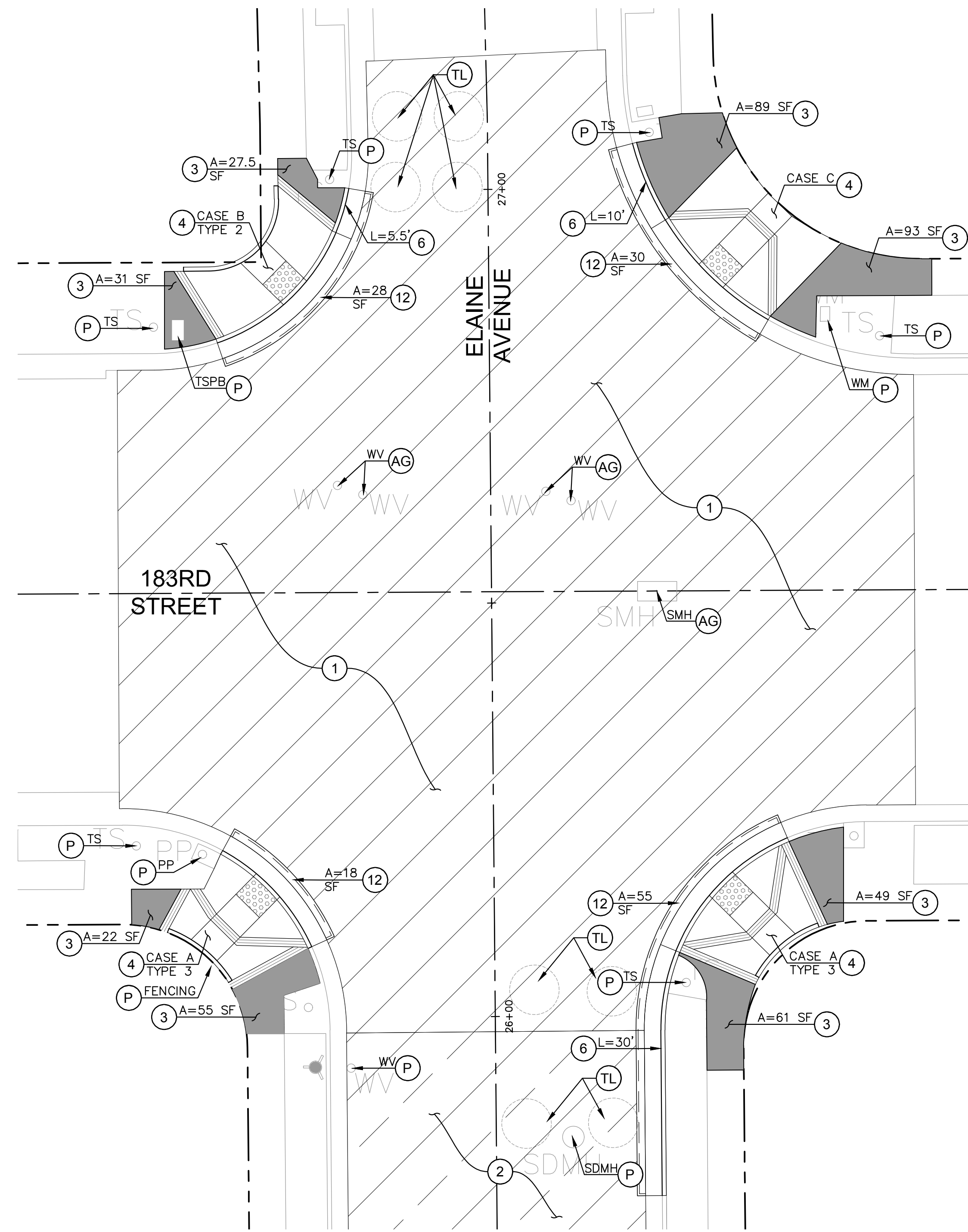
C-9
SHEET NO. 9 OF 18



187TH ST. & ELAINE AVE. PLAN DETAILS (8)
SCALE: 1"=10' C-5



DROXFORD ST. & ELAINE AVE. PLAN DETAILS (9)
SCALE: 1"=10' C-5



183RD ST. & ELAINE AVE. PLAN DETAILS (7)
SCALE: 1"=10' C-5

GENERAL NOTES

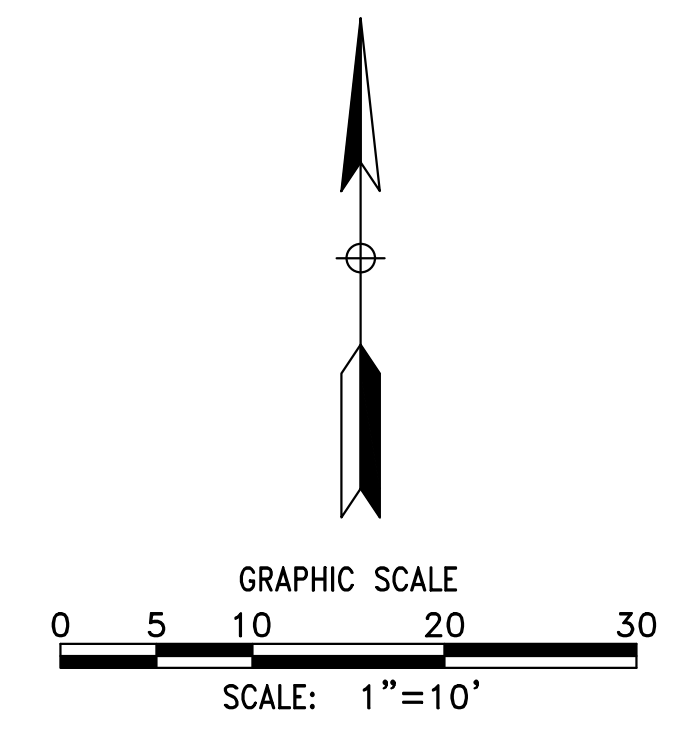
1. THE CONTRACTOR SHALL FURNISH, PRESERVE, AND RE-ESTABLISH ALL EXISTING "STREET CENTERLINE" MONUMENTS THAT ARE RECORDED AND/OR IDENTIFIED IN THE LOS ANGELES COUNTY SURVEYOR'S OFFICE AND/OR FIELD BOOK. THE CONTRACTOR SHALL ALSO ESTABLISH ALL CONTROLS AND ELEVATIONS AS REQUIRED AND AS SHOWN ON THE PLAN OR AS DIRECTED BY THE ENGINEER.

CONSTRUCTION NOTES

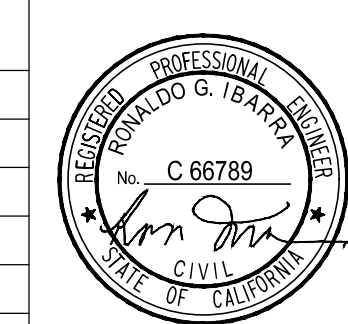
1. COLD MILL 2" OF EXISTING ASPHALT CONCRETE AND REPAVE WITH A MINIMUM OF 2" ASPHALT (C2 PG 64-10)
 2. SEAL CRACKS AND INSTALL SLURRY SEAL. REMOVE ALL EXISTING STRIPING, MARKERS, AND PAVEMENT MARKINGS PRIOR TO INSTALLATION.
 3. REMOVE AND DISPOSE OF EXISTING CONCRETE SIDEWALK AND CONSTRUCT SIDEWALK PER CITY OF ARTESIA STD. PLAN 112-2. SEE DETAIL 1 ON SHEET C-20. AREA PER PLAN.
 5. REMOVE AND DISPOSE OF EXISTING CONCRETE SIDEWALK AND CONSTRUCT CURB RAMP PER SPPWC STD. PLAN 111-5, CASE A TYPE 5, WITH SECTION B-B RETAINING CURB.
 6. REMOVE AND DISPOSE OF EXIST. CONCRETE CURB & GUTTER AND CONSTRUCT PCC A2-8 CURB AND GUTTER PER SPPWC STD. PLAN 120-3. LENGTH PER PLAN.
 8. INSTALL 4'X3' SURFACE MOUNTED ADA TRUNCATED DOMES (FEDERAL YELLOW)
 9. SAWCUT PERIMETER AND REMOVE EXISTING BURIED LONGITUDINAL GUTTER AND CONSTRUCT ASPHALT PAVEMENT SECTION. INSTALL 2" C2 PG 64-10 OVER 4" B-PG 64-10 ASPHALT OVER 6" AGGREGATE BASE (95% COMPACTION) OVER 12" SUBGRADE (90% COMPACTION).
 12. SAWCUT 1" FROM EDGE OF GUTTER AND REMOVE AND DISPOSE OF EXISTING ASPHALT PAVEMENT AND BASE AND INSTALL 6" ASPHALT OVER 6" A.B. (90% COMPACTION) OVER COMPACTED SUBGRADE (95% COMPACTION). AREA PER PLAN.
 13. REMOVE AND DISPOSE OF EXIST. CONCRETE CURB & GUTTER AND CONSTRUCT PCC CURB AND GUTTER PER SPPWC STD. PLAN 120-3. LENGTH PER PLAN. VARIABLE CURB FACE HEIGHT TO MATCH EXISTING CURB RAMP'S FINISHED SURFACE.
 14. REMOVE AND DISPOSE OF EXISTING TREE AND INSTALL A NEW MATURE CITY APPROVED TREE. NEW LOCATION PER PLAN.
 15. INSTALL SOLAR SINGLE LAMP AND POST BY GAMA SONIC SOLAR OR APPROVED EQUAL. BLACK CAST ALUMINUM AND BEVELED GLASS PANELS, 87 INCH HEIGHT, 98B001. CONTRACTOR SHALL INSTALL IT ON 12" DIAMETER BY 2 FEET DEEP CONCRETE FOUNDATION. SEE DETAIL 3 ON SHEET C-20.
- (P) PROTECT IN PLACE (ITEM AS NOTED)
(AG) ADJUST TO GRADE (ITEM AS NOTED)
(TL) REPLACE EXISTING TRAFFIC LOOPS. CONTRACTOR SHALL COORDINATE WITH THE CITY ENGINEER/REPRESENTATIVE PRIOR TO DEACTIVATION. INSTALL TYPE "E" TRAFFIC DETECTION LOOP. MATCH EXISTING LOCATION.

LEGEND

- LIMITS OF COLD MILL AND ASPHALT OVERLAY
- LIMITS OF SLURRY SEAL
- LIMITS OF REMOVE AND RECOMPACT
- LIMITS OF PCC SIDEWALK
- APPARENT CENTERLINE



REVISIONS:		
NO.	DATE	DESCRIPTION



PLANS PREPARED BY:
CITY OF ARTESIA, CA
ENGINEERING DIVISION PUBLIC WORKS DEPARTMENT
18747 CLARKDALE AVENUE
ARTESIA, CA 90701
PHONE: 562-865-6262

ERNESTO SANCHEZ
PUBLIC WORKS MANAGER

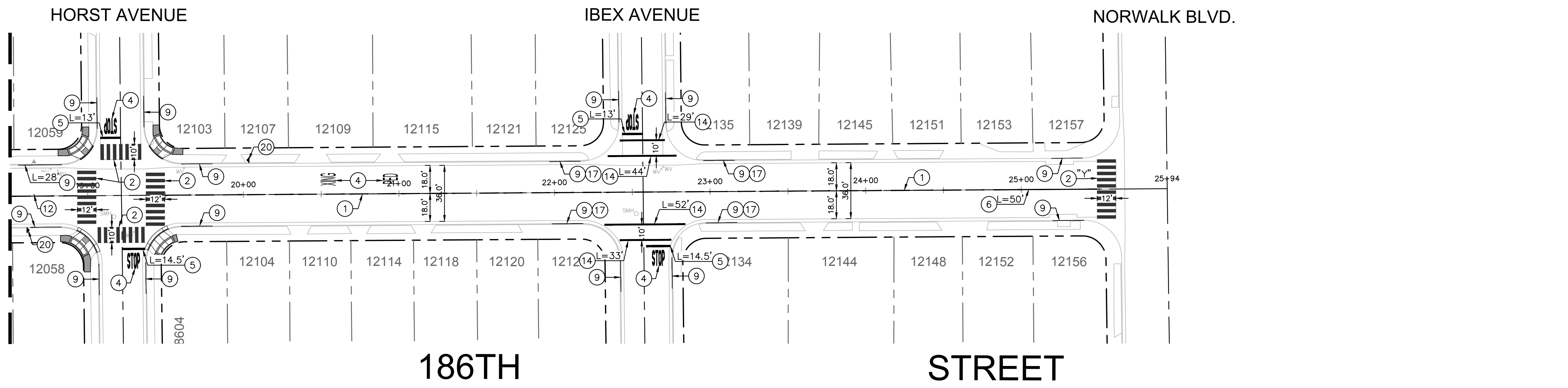
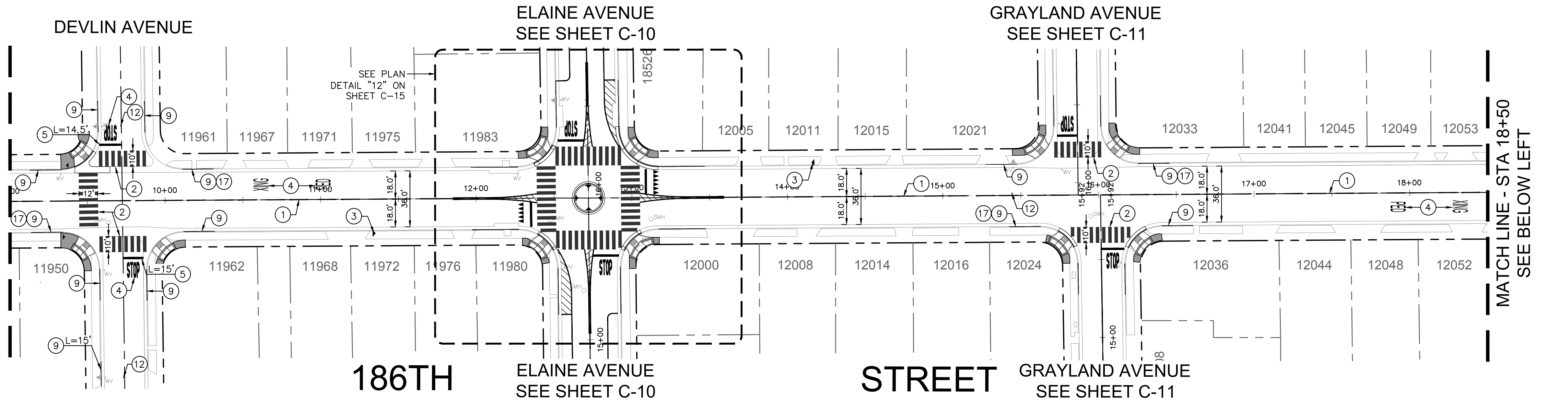
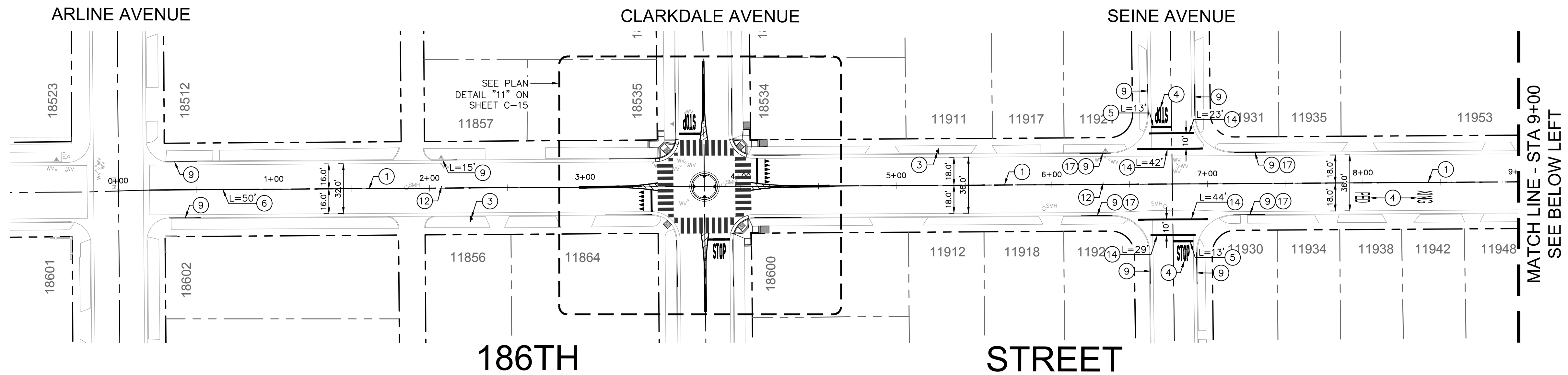
RON IBARRA, PE
CIVIL ENGINEER

	DATE
DESIGNED BY: R. IBARRA	4/2/2026
DRAFTED BY: R. IBARRA	4/2/2026
CHECKED BY: E. SANCHEZ	4/2/2026
APPROVED BY: A. AVALOS	4/2/2026



PROJECT: HSIP AND TRAFFIC CALMING PROJECT
SHEET: STREET IMPROVEMENT
PLAN DETAILS - 3
CITY OF ARTESIA
DEPARTMENT OF ENGINEERING

C-10
SHEET NO. 10 OF 18

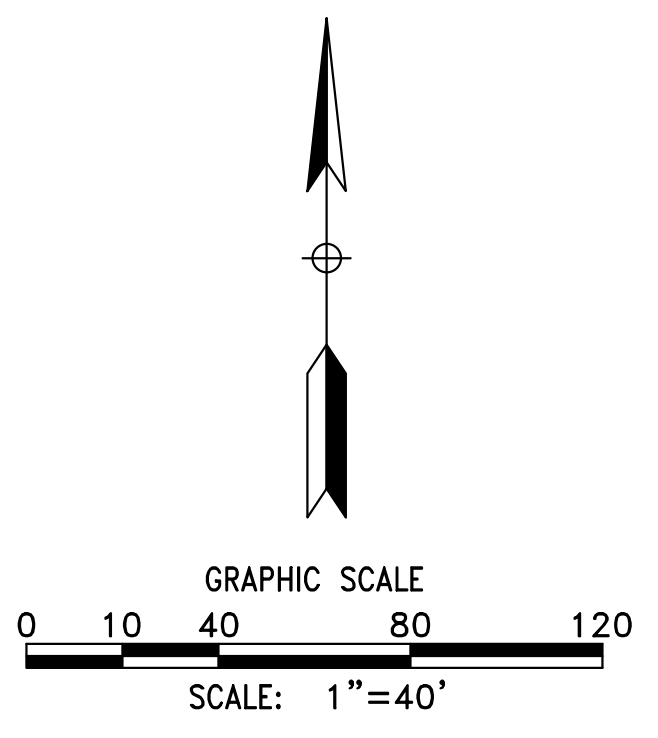


- GENERAL NOTES**
- ALL CROSSWALKS SHALL BE THERMOPLASTIC. ALL OTHER STRIPING AND PAVEMENT MARKINGS SHALL BE PAINT THREE (3) COATS, UNLESS OTHERWISE NOTED. EACH COAT OF PAINT SHALL INCLUDE REFLECTIVE GLASS BEADS.
 - REMOVE EXISTING STRIPING AND PAVEMENT MARKINGS THAT ARE IN CONFLICT WITH NEW STRIPING AND PAVEMENT MARKINGS.
 - SEE SIGNING & STRIPING DETAILS ON SHEETS C-21 TO C-22.
 - THE CONTRACTOR SHALL INSTALL ZUMAR VIS-Z-SHIED ENHANCEMENT TO NEW SIGN POSTS.
- CONSTRUCTION NOTES**
- PAINT CENTERLINE STRIPING PER CALTRANS STD. PLAN A20A DETAIL 2. SEE SHEET C-21.
 - PAINT CONTINENTAL CROSSWALK PER CALTRANS STD. PLAN A24F WITH 2" WIDE STRIPE WITH 2' SPACING. WIDTH PER PLAN. SEE SHEET C-21. COLOR SHALL BE WHITE UNLESS NOTED A "Y" FOR YELLOW.
 - INSTALL ROUNDABOUT SIGN, POST, AND FOUNDATION. SEE DETAIL 15 ON SHEET C-22 FOR SIGN TYPE.
 - PAINT "STOP, XING, OR PED" PAVEMENT MARKING PER CALTRANS STD. PLAN A24D. SEE SHEET C-21.
 - PAINT 12" WHITE STOP BAR. LENGTH PER PLAN.
 - PAINT 6" YELLOW CONTINUOUS CENTERLINE STRIPING. LENGTH PER PLAN.
 - PAINT RED CURB. 20' IN LENGTH UNLESS OTHERWISE NOTED.
 - INSTALL BLUE REFLECTIVE PAVEMENT MARKER IN FRONT OF FIRE HYDRANT.
 - PAINT OR REPAINT BASIC CROSSWALK PER CALTRANS STD. PLAN A24F WITH 1" WIDE STRIPE. LENGTH PER PLAN. SEE SHEET C-21.
 - REPAINT HOUSE NUMBER ON CURB. MATCH EXISTING.
 - INSTALL W11-2 WITH ARROW SIGN, POST AND FOUNDATION. SEE DETAIL 16 ON SHEET C-22 FOR SIGN TYPE.

MATCH LINE - STA 9+00
SEE ABOVE RIGHT

MATCH LINE - STA 18+50
SEE BELOW LEFT

MATCH LINE - STA 18+50
SEE ABOVE RIGHT



REVISIONS:

NO.	DATE	DESCRIPTION



PLANS PREPARED BY:
CITY OF ARTESIA, CA
ENGINEERING DIVISION PUBLIC WORKS DEPARTMENT
18747 CLARKDALE AVENUE
ARTESIA, CA 90701
PHONE: 562-865-6262

ERNESTO SANCHEZ
PUBLIC WORKS MANAGER

RON IBARRA, PE
CIVIL ENGINEER

DESIGNED BY:	DATE
R. IBARRA	4/2/2026
DRAFTED BY:	
R. IBARRA	4/2/2026
CHECKED BY:	
E. SANCHEZ	4/2/2026
APPROVED BY:	
A. AVALOS	4/2/2026



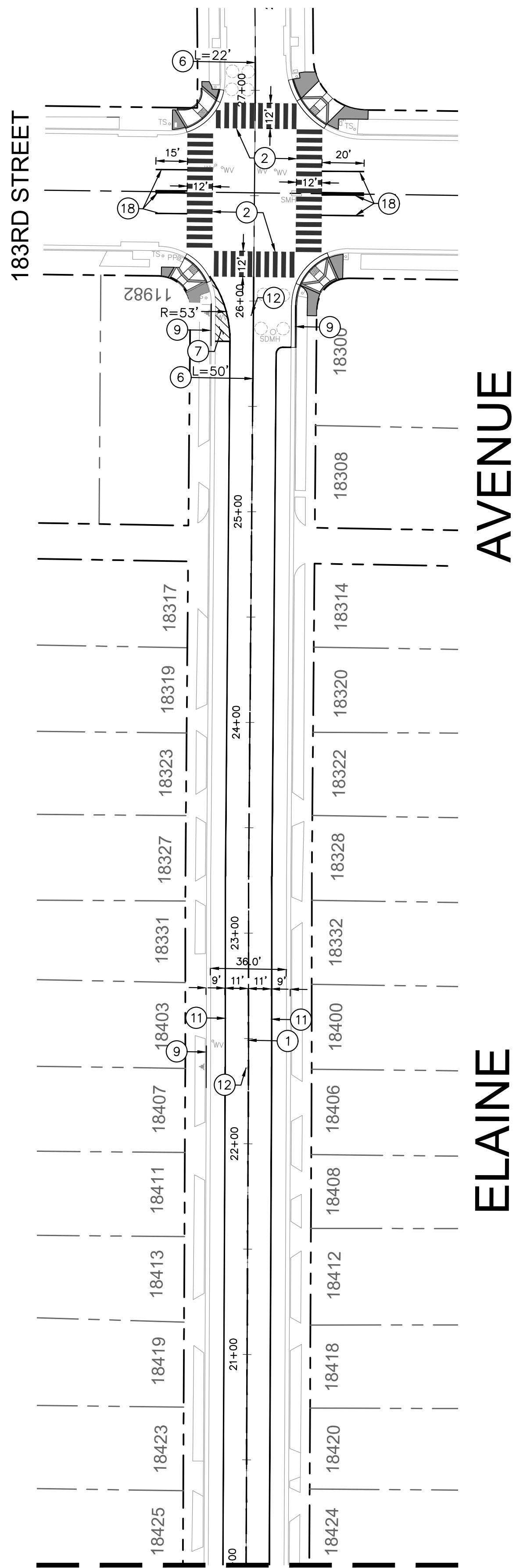
PROJECT: HSIP AND TRAFFIC CALMING PROJECT

SHEET: 186TH STREET
SIGNING & STRIPING PLAN

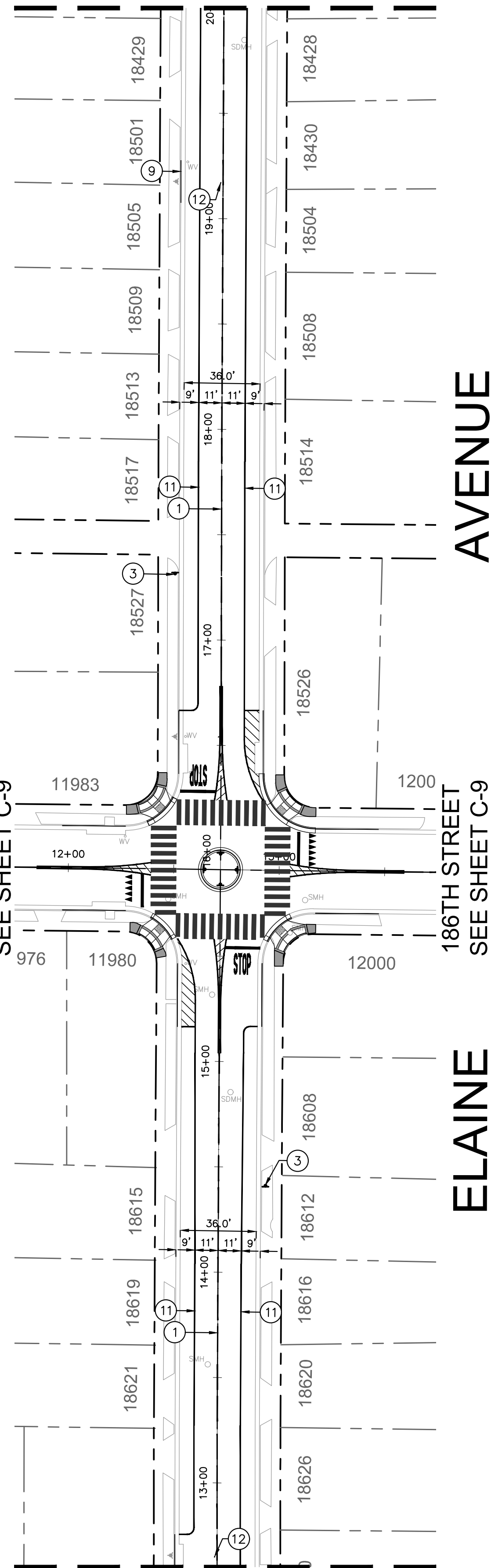
CITY OF ARTESIA
DEPARTMENT OF ENGINEERING

C-11

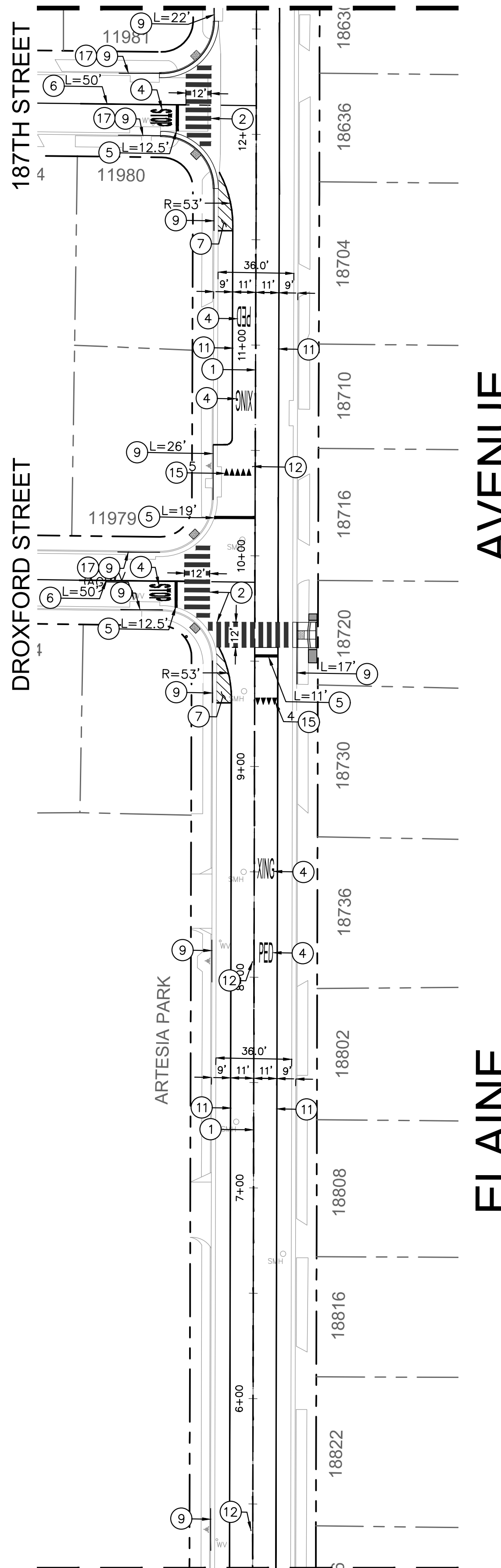
SHEET NO. 11 OF 18



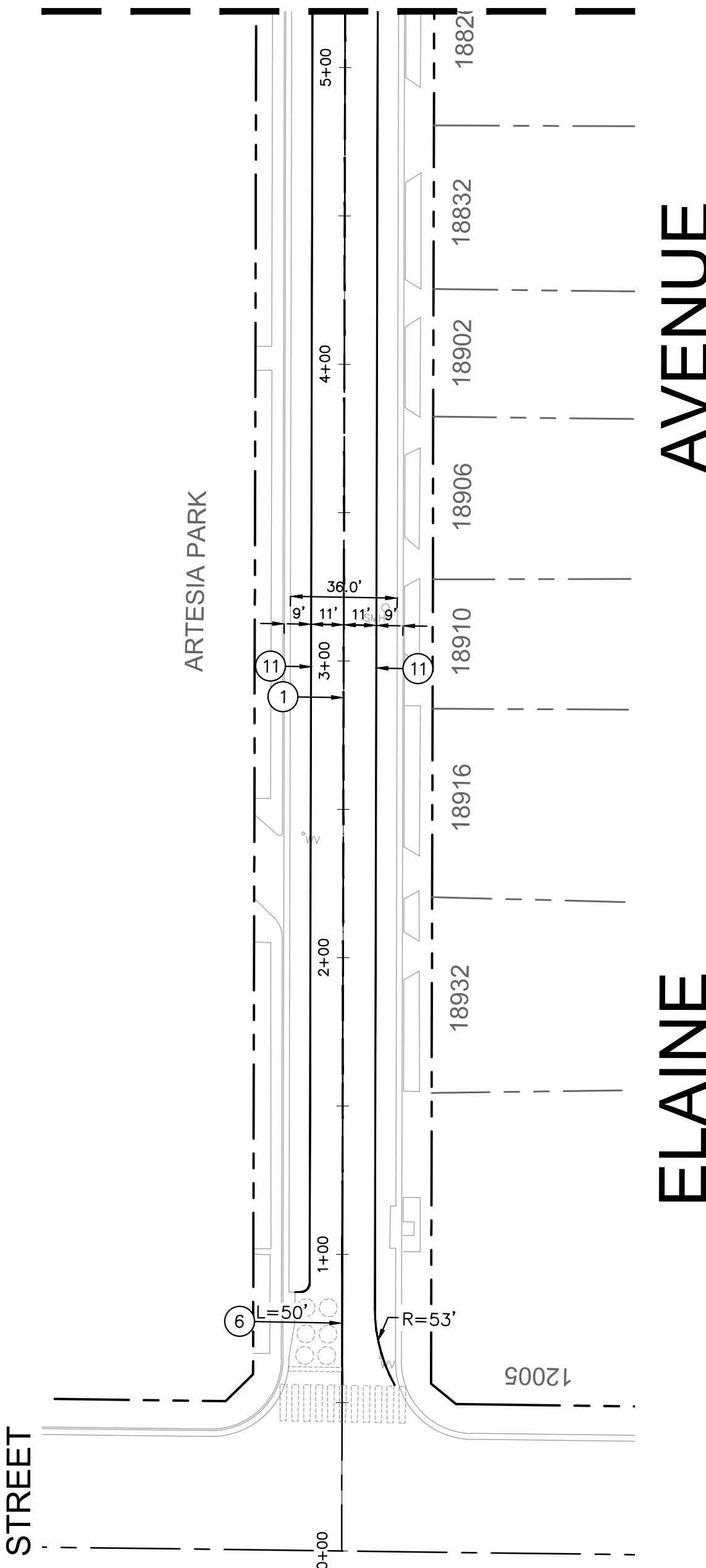
MATCH LINE - STA 20+00
SEE ABOVE RIGHT



MATCH LINE - STA 12+60
SEE ABOVE RIGHT



MATCH LINE - STA 5+19
SEE ABOVE RIGHT



MATCH LINE - STA 5+19
SEE BELOW LEFT

MATCH LINE - STA 20+00
SEE BELOW LEFT

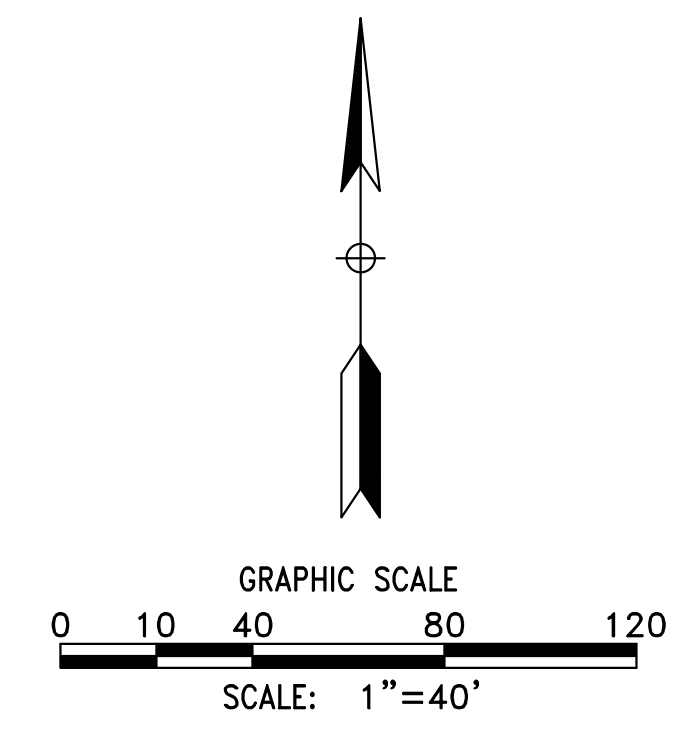
MATCH LINE - STA 12+60
SEE BELOW LEFT

GENERAL NOTES

1. ALL CROSSWALKS SHALL BE THERMOPLASTIC. ALL OTHER STRIPING AND PAVEMENT MARKINGS SHALL BE PAINT THREE (3) COATS, UNLESS OTHERWISE NOTED. EACH COAT OF PAINT SHALL INCLUDE REFLECTIVE GLASS BEADS.
2. REMOVE EXISTING STRIPING AND PAVEMENT MARKINGS THAT ARE IN CONFLICT WITH NEW STRIPING AND PAVEMENT MARKINGS.
3. SEE SIGNING & STRIPING DETAILS ON SHEETS C-21 TO C-22.
4. THE CONTRACTOR SHALL INSTALL ZUMAR VIS-Z-SHIED ENHANCEMENT TO NEW SIGN POSTS.

CONSTRUCTION NOTES

1. PAINT CENTERLINE STRIPING PER CALTRANS STD. PLAN A20A DETAIL 2. SEE SHEET C-21.
2. PAINT CONTINENTAL CROSSWALK PER CALTRANS STD. PLAN A24F WITH 2" WIDE STRIPE WITH 2" SPACING. WIDTH PER PLAN. SEE SHEET C-21. COLOR SHALL BE WHITE UNLESS NOTED A "Y" FOR YELLOW.
3. INSTALL ROUNDABOUT SIGN, POST, AND FOUNDATION. SEE DETAIL 15 ON SHEET C-22 FOR SIGN TYPE.
4. PAINT "STOP, XING, OR PED" PAVEMENT MARKING PER CALTRANS STD. PLAN A24D. SEE SHEET C-21.
5. PAINT 12" WHITE STOP BAR. LENGTH PER PLAN.
6. PAINT 6" YELLOW CONTINUOUS CENTERLINE STRIPING. LENGTH PER PLAN.
7. PAINT NO PARKING STRIPING PER DETAIL 14 ON SHEET C-22.
9. PAINT RED CURB. 20" IN LENGTH UNLESS OTHERWISE NOTED.
11. PAINT 6" WHITE EDGELINE PER CALTRANS STD. PLAN A20B DETAIL 27B. SEE SHEET C-21.
12. INSTALL BLUE REFLECTIVE PAVEMENT MARKER IN FRONT OF FIRE HYDRANT.
15. PAINT YIELD PAVEMENT MARKINGS. NUMBER OF ARROWS PER PLAN. SEE DETAIL 17 ON SHEET C-22.
17. REPAINT HOUSE NUMBER ON CURB. MATCH EXISTING.
18. REPAINT STRIPING ON 183RD STREET AFTER PAVEMENT OVERLAY. MATCH EXISTING.



REVISIONS:		
NO.	DATE	DESCRIPTION



PLANS PREPARED BY:
CITY OF ARTESIA, CA
ENGINEERING DIVISION PUBLIC WORKS DEPARTMENT
18747 CLARKDALE AVENUE
ARTESIA, CA 90701
PHONE: 562-865-6262

ERNESTO SANCHEZ
PUBLIC WORKS MANAGER

RON IBARRA, PE
CIVIL ENGINEER

	DATE
DESIGNED BY: R. IBARRA	4/2/2026
DRAFTED BY: R. IBARRA	4/2/2026
CHECKED BY: E. SANCHEZ	4/2/2026
APPROVED BY: A. AVALOS	4/2/2026



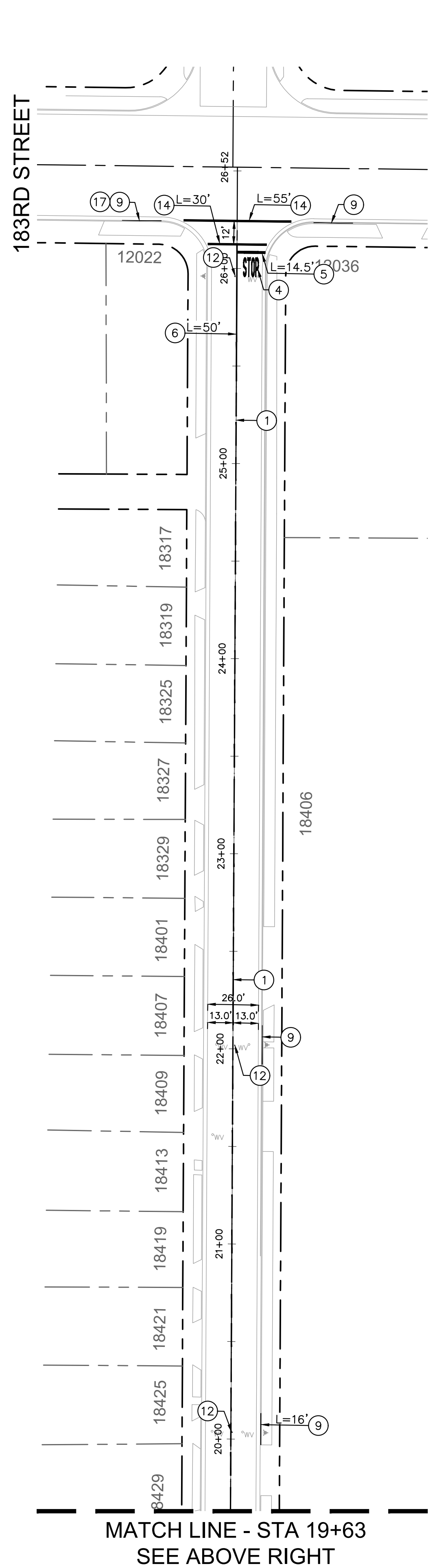
PROJECT: HSIP AND TRAFFIC CALMING PROJECT

SHEET: ELAINE AVENUE
SIGNING & STRIPING PLAN

CITY OF ARTESIA
DEPARTMENT OF ENGINEERING

C-12

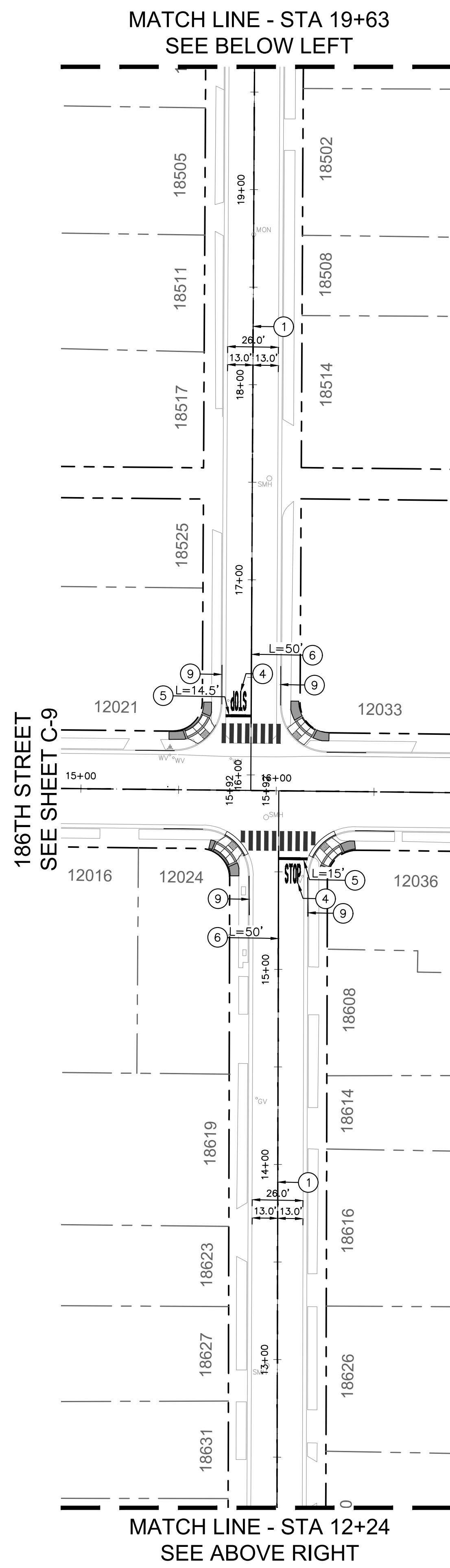
SHEET NO. 12 OF 18



MATCH LINE - STA 19+63
SEE ABOVE RIGHT

AVENUE

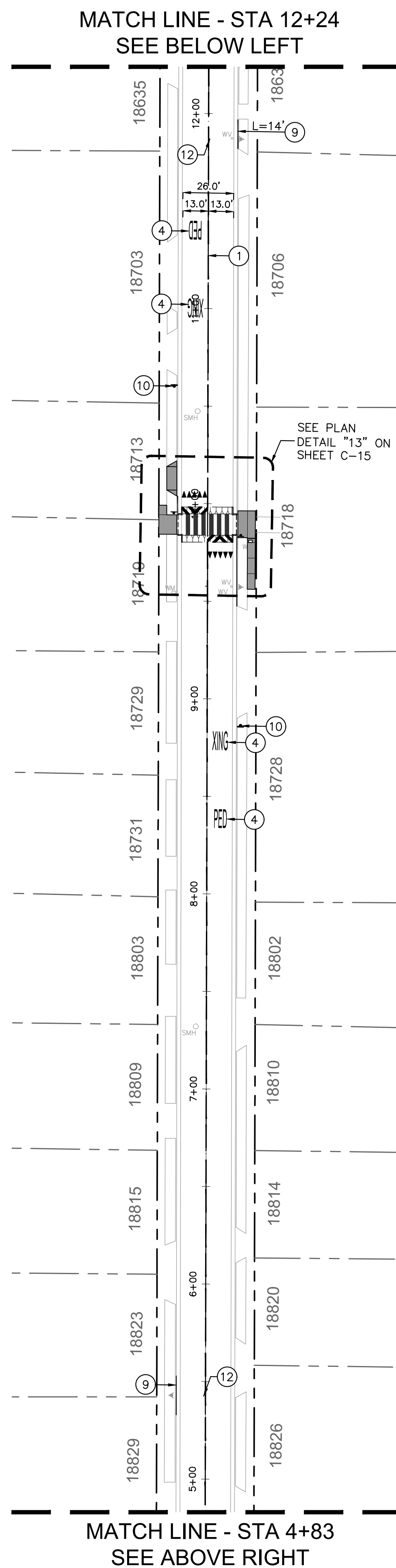
GRAYLAND



MATCH LINE - STA 12+24
SEE ABOVE RIGHT

AVENUE

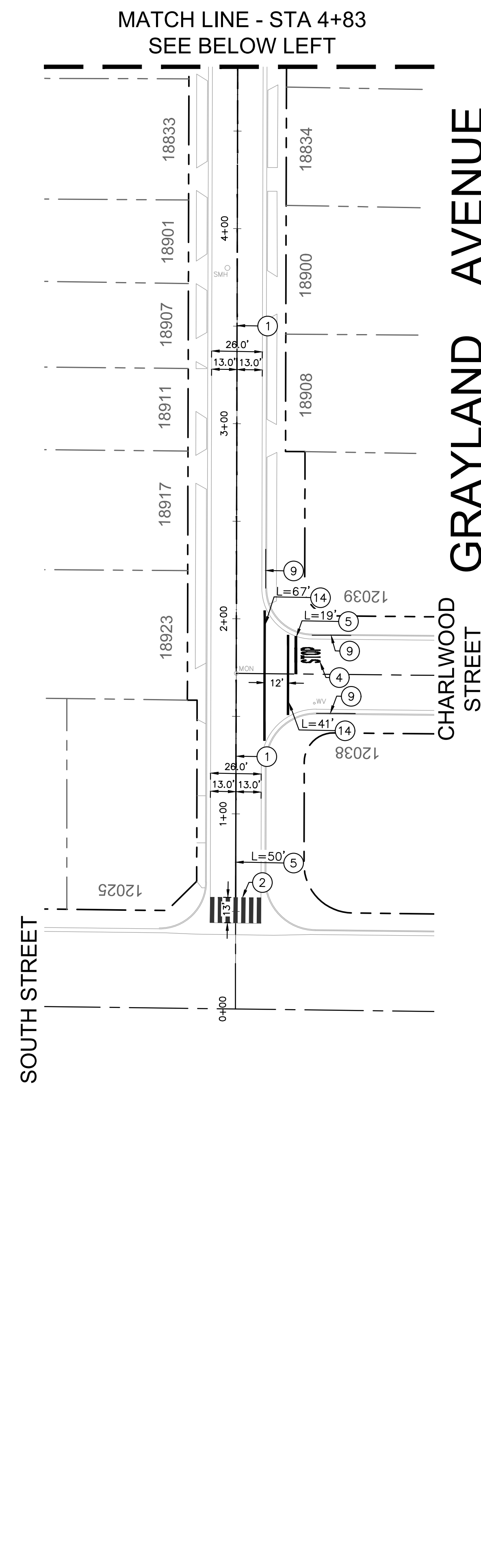
GRAYLAND



MATCH LINE - STA 4+83
SEE ABOVE RIGHT

AVENUE

GRAYLAND



SOUTH STREET

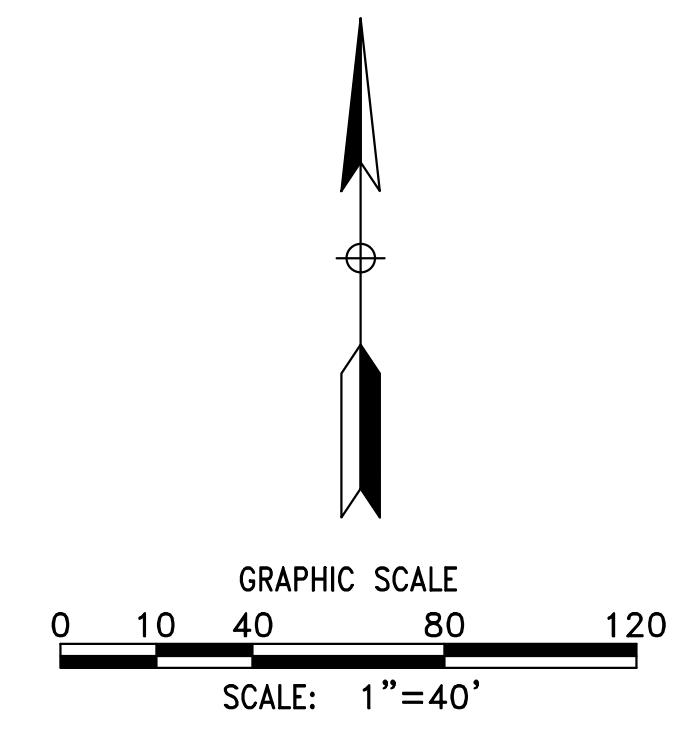
CHARLWOOD STREET

GENERAL NOTES

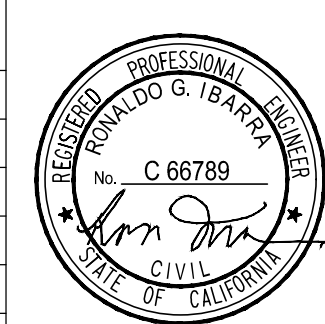
1. ALL CROSSWALKS SHALL BE THERMOPLASTIC. ALL OTHER STRIPING AND PAVEMENT MARKINGS SHALL BE PAINT THREE (3) COATS, UNLESS OTHERWISE NOTED. EACH COAT OF PAINT SHALL INCLUDE REFLECTIVE GLASS BEADS.
2. REMOVE EXISTING STRIPING AND PAVEMENT MARKINGS THAT ARE IN CONFLICT WITH NEW STRIPING AND PAVEMENT MARKINGS.
3. SEE SIGNING & STRIPING DETAILS ON SHEETS C-21 TO C-22.
4. THE CONTRACTOR SHALL INSTALL ZUMAR VIS-Z-SHIED ENHANCEMENT TO NEW SIGN POSTS.

CONSTRUCTION NOTES

- ① PAINT CENTERLINE STRIPING PER CALTRANS STD. PLAN A20A DETAIL 2. SEE SHEET C-21.
- ② PAINT CONTINENTAL CROSSWALK PER CALTRANS STD. PLAN A24F WITH 2" WIDE STRIPE WITH 2" SPACING. WIDTH PER PLAN. SEE SHEET C-21. COLOR SHALL BE WHITE UNLESS NOTED A "Y" FOR YELLOW.
- ④ PAINT "STOP, XING, OR PED" PAVEMENT MARKING PER CALTRANS STD. PLAN A24D. SEE SHEET C-21.
- ⑤ PAINT 12" WHITE STOP BAR. LENGTH PER PLAN.
- ⑥ PAINT 6" YELLOW CONTINUOUS CENTERLINE STRIPING. LENGTH PER PLAN.
- ⑨ PAINT RED CURB. 20" IN LENGTH UNLESS OTHERWISE NOTED.
- ⑩ INSTALL 24"X24" W17-1 SIGN, POST, AND FOUNDATION. SEE DETAIL 18 ON SHEET C-22 FOR SIGN TYPE.
- ⑫ INSTALL BLUE REFLECTIVE PAVEMENT MARKER IN FRONT OF FIRE HYDRANT.
- ⑭ PAINT OR REPAINT BASIC CROSSWALK PER CALTRANS STD. PLAN A24F WITH 1" WIDE STRIPE. LENGTH PER PLAN. SEE SHEET C-21.
- ⑰ REPAINT HOUSE NUMBER ON CURB. MATCH EXISTING.



REVISIONS:		
NO.	DATE	DESCRIPTION



PLANS PREPARED BY:
CITY OF ARTESIA, CA
ENGINEERING DIVISION PUBLIC WORKS DEPARTMENT
18747 CLARKDALE AVENUE
ARTESIA, CA 90701
PHONE: 562-865-6262

ERNESTO SANCHEZ
PUBLIC WORKS MANAGER

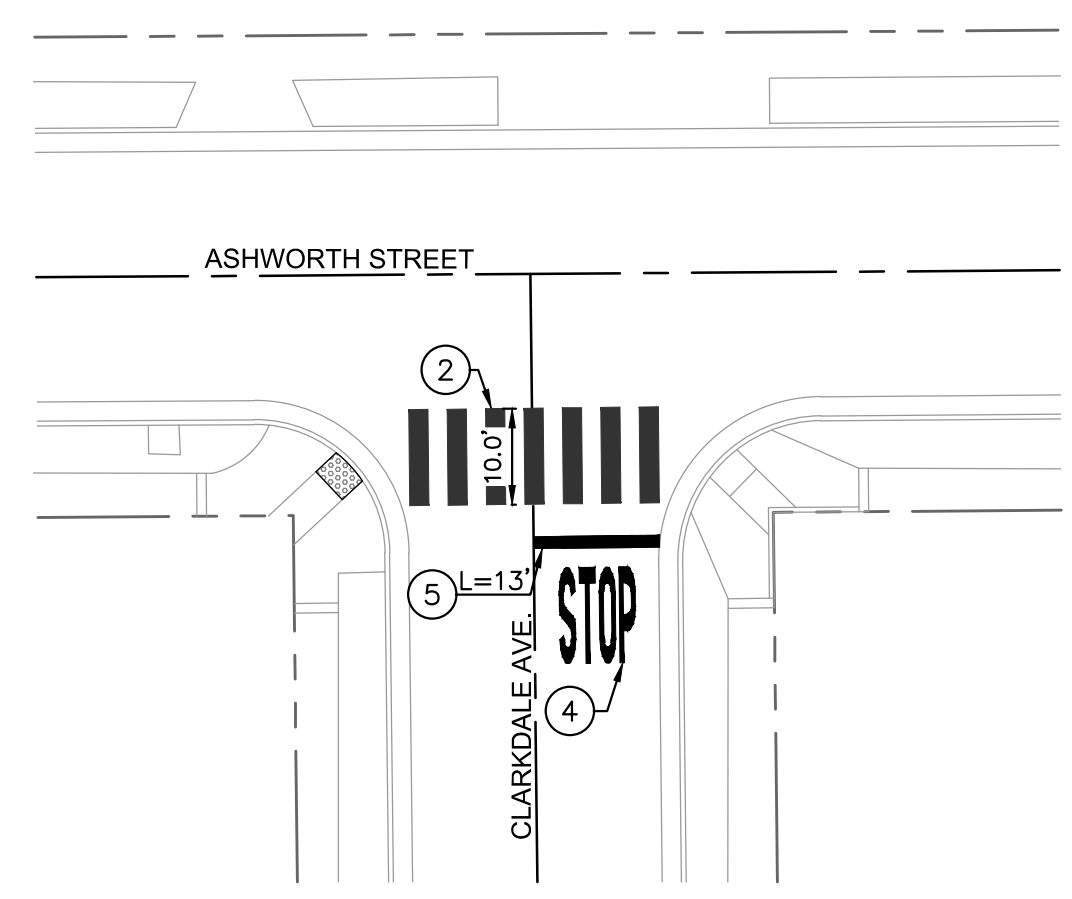
RON IBARRA, PE
CIVIL ENGINEER

	DATE
DESIGNED BY: R. IBARRA	4/2/2026
DRAFTED BY: R. IBARRA	4/2/2026
CHECKED BY: E. SANCHEZ	4/2/2026
APPROVED BY: A. AVALOS	4/2/2026

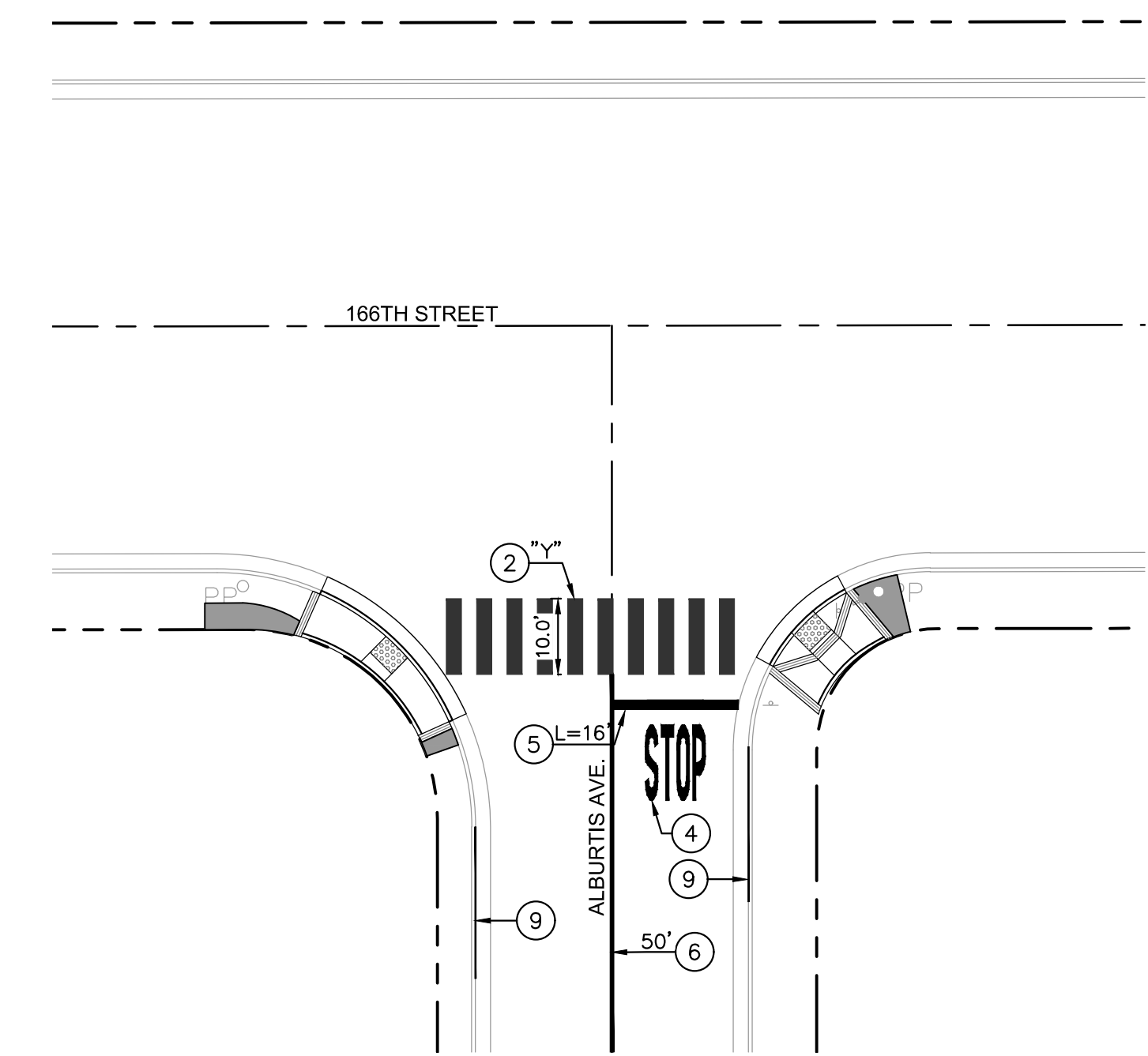


PROJECT: HSIP AND TRAFFIC CALMING PROJECT
SHEET: GRAYLAND AVENUE SIGNING & STRIPING PLAN
CITY OF ARTESIA
DEPARTMENT OF ENGINEERING

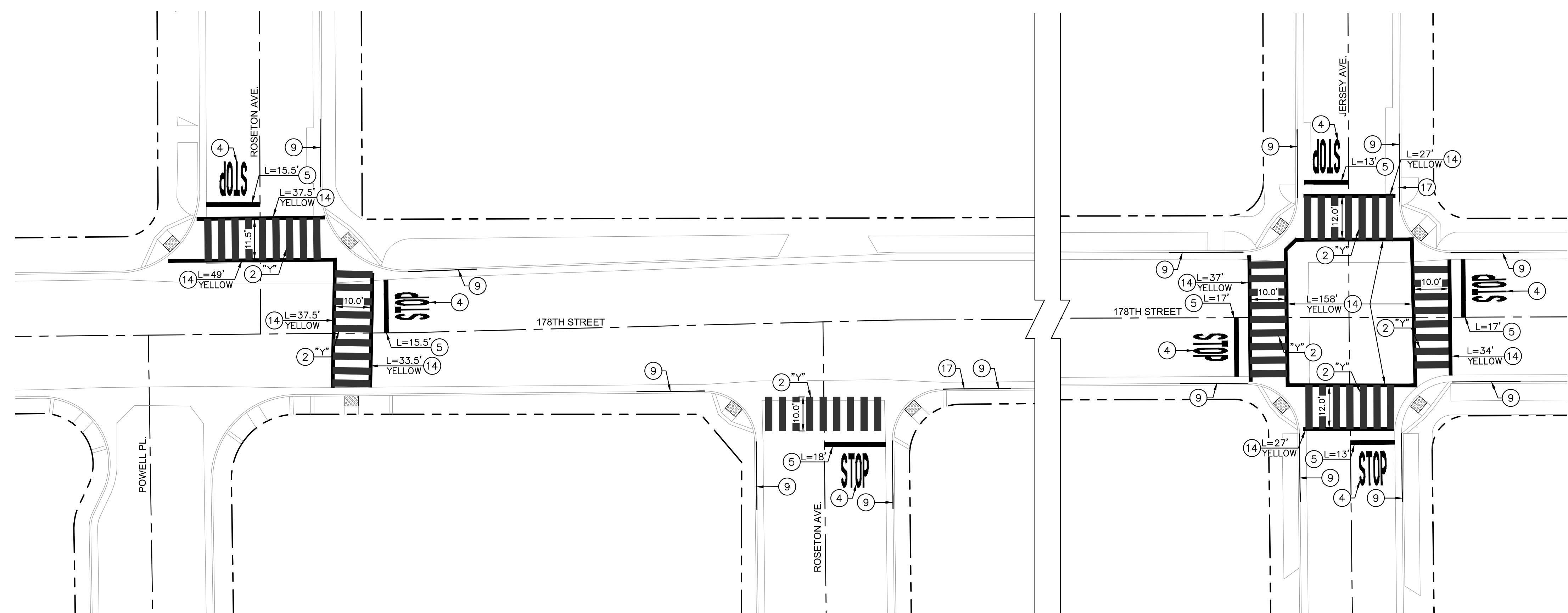
C-13
SHEET NO. 13 OF 18



ASHWORTH ST. & CLARKDALE AVE. STRIPING PLAN
SCALE: 1"=20'



166TH ST. & ALBURDIS AVE. STRIPING PLAN
SCALE: 1"=20'



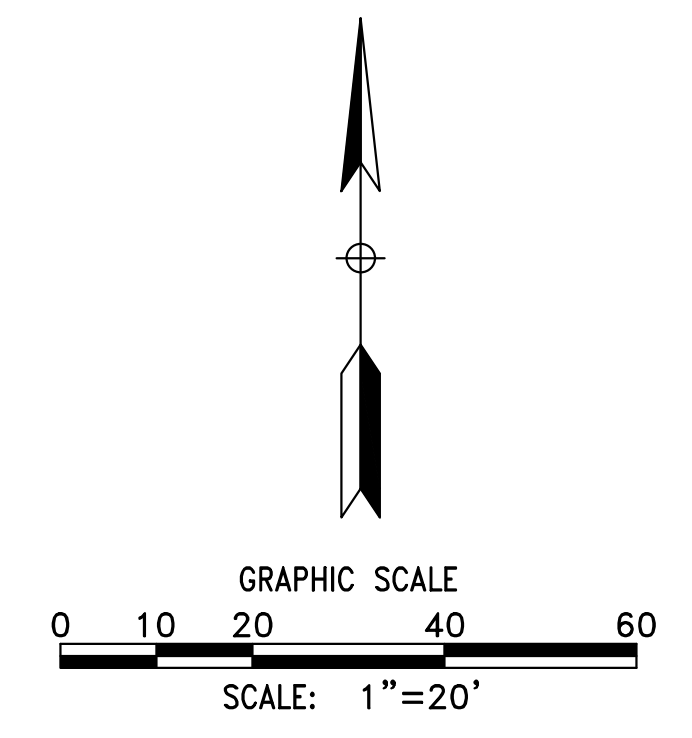
178TH ST. AND ROSETON AVE. TO JERSEY AVE. STRIPING PLAN
SCALE: 1"=20'

GENERAL NOTES

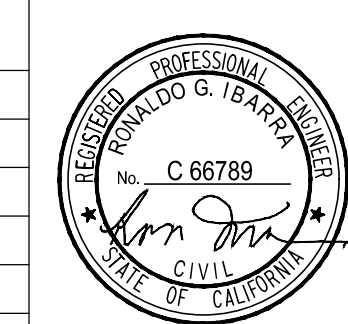
1. ALL CROSSWALKS SHALL BE THERMOPLASTIC. ALL OTHER STRIPING AND PAVEMENT MARKINGS SHALL BE PAINT THREE (3) COATS, UNLESS OTHERWISE NOTED. EACH COAT OF PAINT SHALL INCLUDE REFLECTIVE GLASS BEADS.
2. REMOVE EXISTING STRIPING AND PAVEMENT MARKINGS THAT ARE IN CONFLICT WITH NEW STRIPING AND PAVEMENT MARKINGS.
3. SEE SIGNING & STRIPING DETAILS ON SHEETS C-21 TO C-22.
4. THE CONTRACTOR SHALL INSTALL ZUMAR VIS-Z-SHIED ENHANCEMENT TO NEW SIGN POSTS.

CONSTRUCTION NOTES

2. PAINT CONTINENTAL CROSSWALK PER CALTRANS STD. PLAN A24F WITH 2' WIDE STRIPE WITH 2' SPACING. WIDTH PER PLAN. SEE SHEET C-21. COLOR SHALL BE WHITE UNLESS NOTED A "Y" FOR YELLOW.
4. PAINT "STOP, XING, OR PED" PAVEMENT MARKING PER CALTRANS STD. PLAN A24D. SEE SHEET C-21.
5. PAINT 12" WHITE STOP BAR. LENGTH PER PLAN.
6. PAINT 6" YELLOW CONTINUOUS CENTERLINE STRIPING. LENGTH PER PLAN.
9. PAINT RED CURB. 20' IN LENGTH UNLESS OTHERWISE NOTED.
14. REPAINT BASIC CROSSWALK PER CALTRANS STD. PLAN A24F WITH 1' WIDE STRIPE. LENGTH PER PLAN. SEE SHEET C-21.
17. REPAINT HOUSE NUMBER ON CURB. MATCH EXISTING.



REVISIONS:		
NO.	DATE	DESCRIPTION



PLANS PREPARED BY:
CITY OF ARTESIA, CA
ENGINEERING DIVISION PUBLIC WORKS DEPARTMENT
18747 CLARKDALE AVENUE
ARTESIA, CA 90701
PHONE: 562-865-6262

ERNESTO SANCHEZ
PUBLIC WORKS MANAGER

RON IBARRA, PE
CIVIL ENGINEER

	DATE
DESIGNED BY: R. IBARRA	4/2/2026
DRAFTED BY: R. IBARRA	4/2/2026
CHECKED BY: E. SANCHEZ	4/2/2026
APPROVED BY: A. AVALOS	4/2/2026

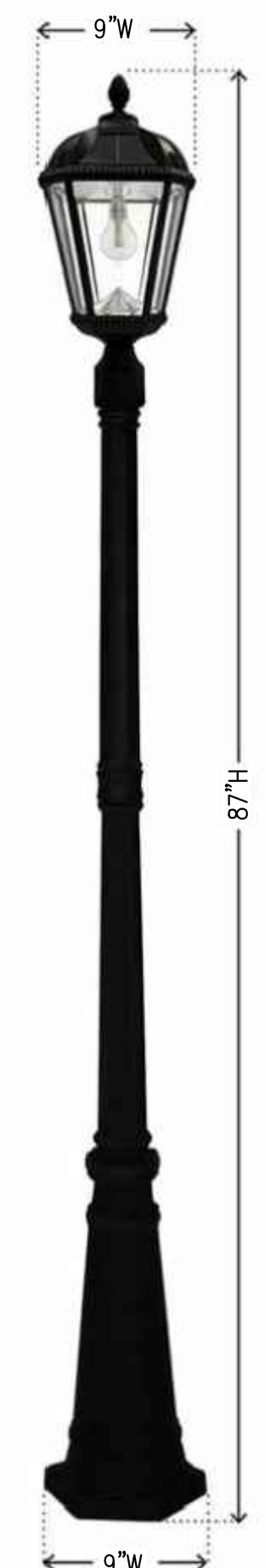


PROJECT: HSP AND TRAFFIC CALMING PROJECT
SHEET: VARIOUS STREET INTERSECTION STRIPING PLAN

CITY OF ARTESIA
DEPARTMENT OF ENGINEERING

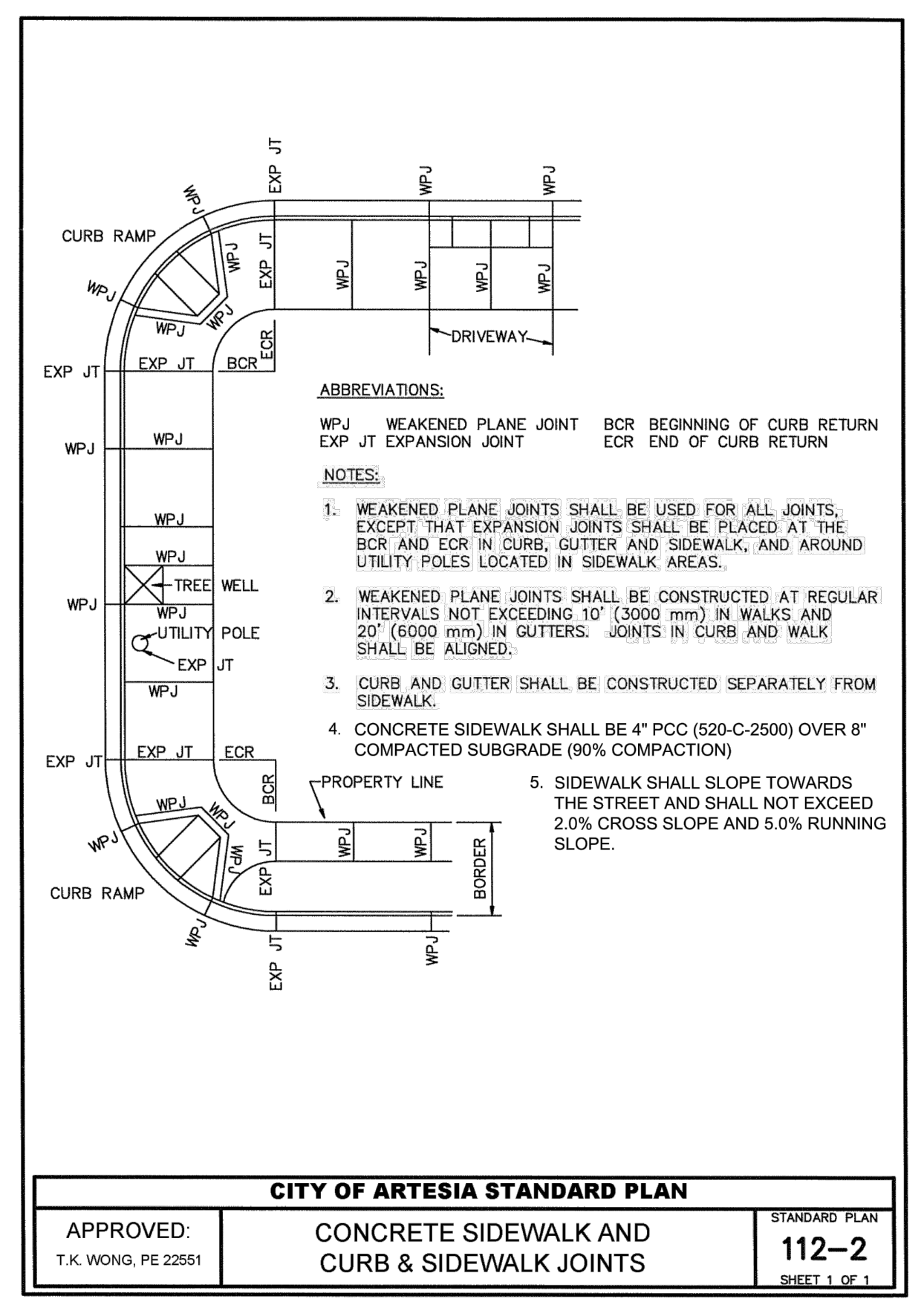
C-14

SHEET NO. 14 OF 18



- NOTES:
1. SECURELY INSTALL ON CONCRETE FOUNDATION (560-C-3250)
 2. LIGHT POST SHALL BE VERTICALLY PLUMB.

3 LIGHT POST DETAIL
C-8 SCALE: NTS



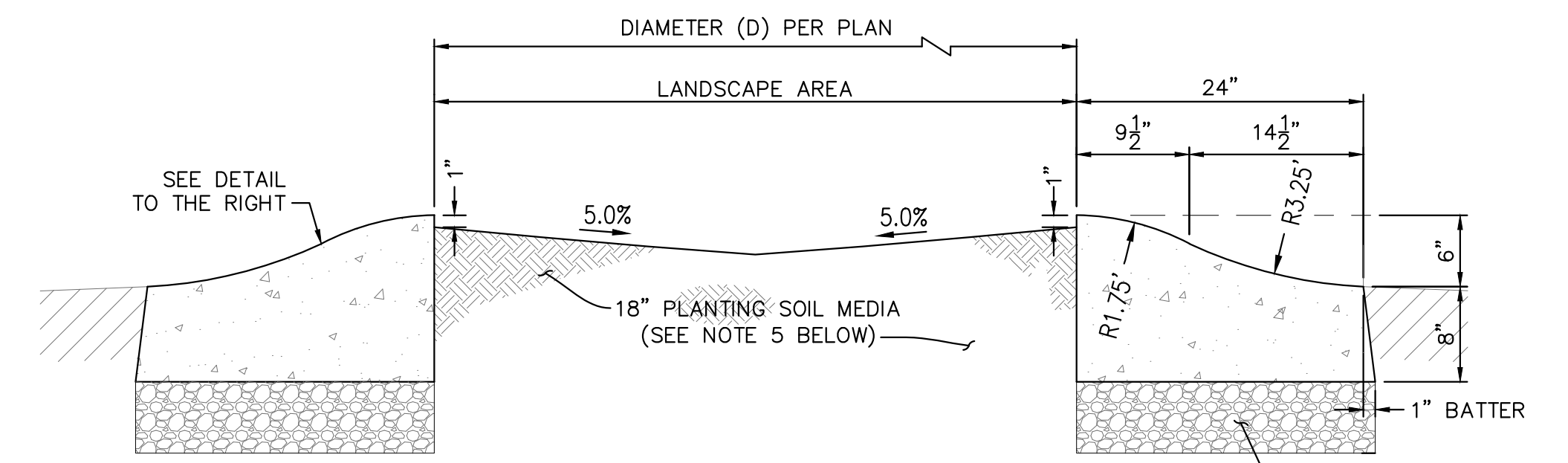
CITY OF ARTESIA STANDARD PLAN

APPROVED: T.K. WONG, PE 22551

CONCRETE SIDEWALK AND CURB & SIDEWALK JOINTS

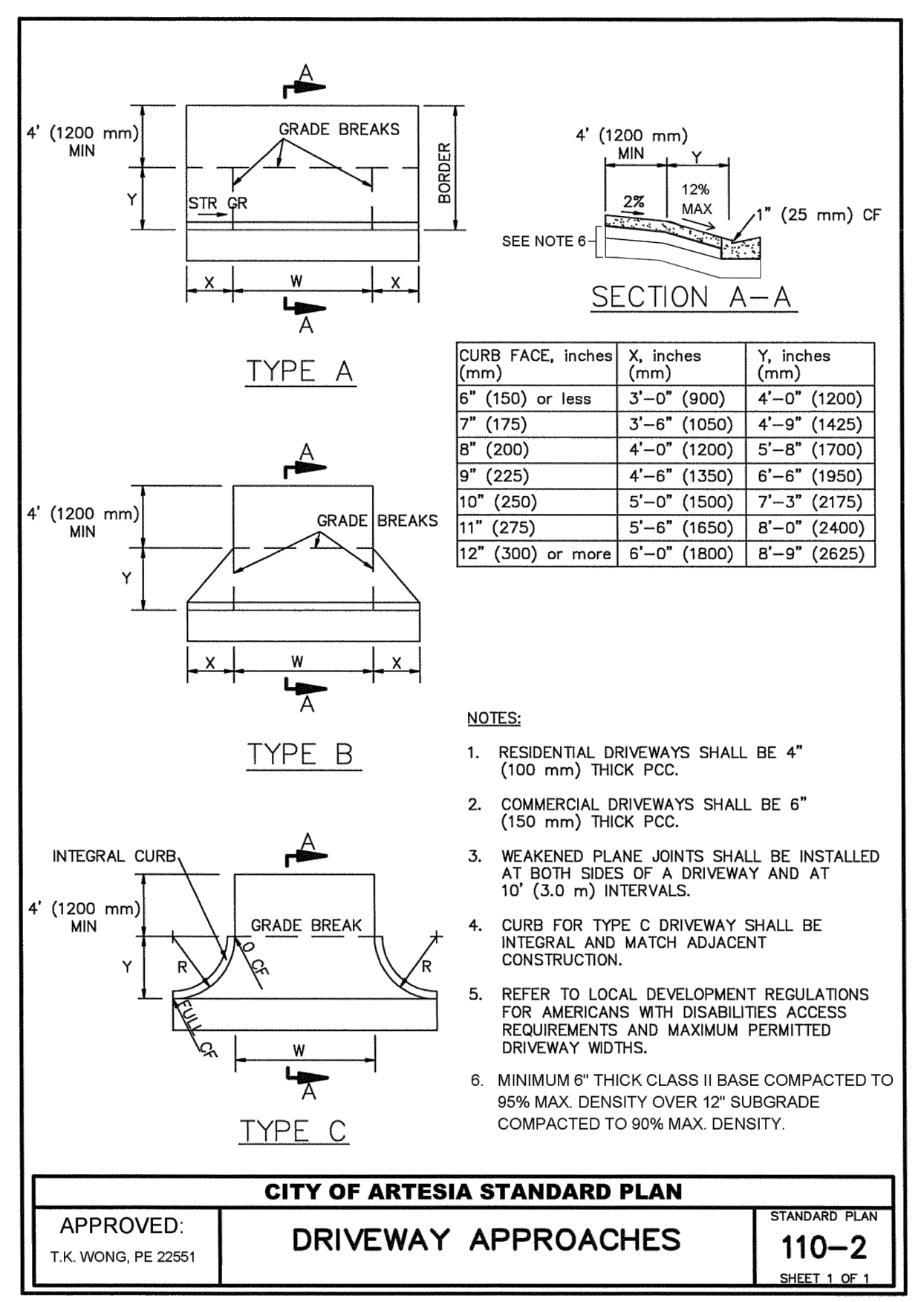
STANDARD PLAN 112-2
SHEET 1 OF 1

1 SIDEWALK DETAIL
SCALE: NTS



- NOTES:
1. CONCRETE CLASS SHALL BE 560-C-3250 PER SPPWC
 2. ESTABLISH EXPANSION JOINTS EVERY 8'
 3. TOP 6" OF SUBGRADE SHALL BE COMPACTED TO 95%
 4. SOIL MEDIA SHALL BE THOROUGHLY MIXED 30% NATIVE SOIL AMENDED WITH 70% ALL-PURPOSE GARDEN SOIL.
 5. CONTRACTOR TO PREPARE PLANTING SOIL AND CITY PUBLIC WORKS WILL INSTALL LANDSCAPING.

4 ROUND-ABOUT ROLLED CURB RAISED MEDIAN DETAIL
C-8 SCALE: 1"=1'



CITY OF ARTESIA STANDARD PLAN

APPROVED: T.K. WONG, PE 22551

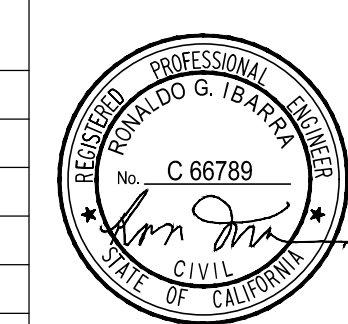
DRIVEWAY APPROACHES

STANDARD PLAN 110-2
SHEET 1 OF 1

2 DRIVEWAY DETAIL
SCALE: NTS

REVISIONS:

NO.	DATE	DESCRIPTION



PLANS PREPARED BY:
 CITY OF ARTESIA, CA
 ENGINEERING DIVISION PUBLIC WORKS DEPARTMENT
 18747 CLARKDALE AVENUE
 ARTESIA, CA 90701
 PHONE: 562-865-6262

ERNESTO SANCHEZ
PUBLIC WORKS MANAGER

RON IBARRA, PE
CIVIL ENGINEER

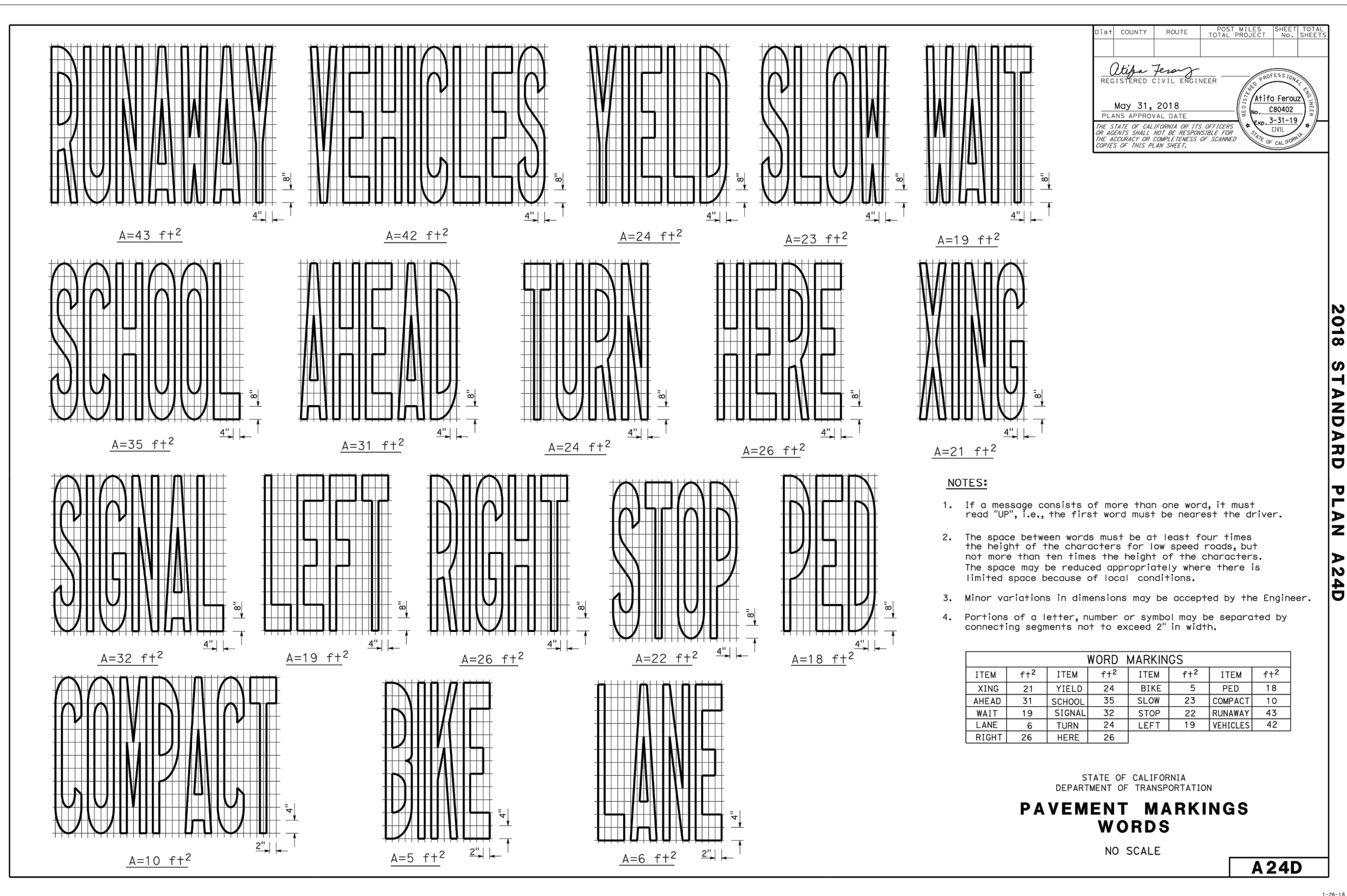
DESIGNED BY:	DATE
R. IBARRA	4/2/2026
DRAFTED BY:	4/2/2026
R. IBARRA	4/2/2026
CHECKED BY:	4/2/2026
E. SANCHEZ	4/2/2026
APPROVED BY:	4/2/2026
A. AVALOS	4/2/2026



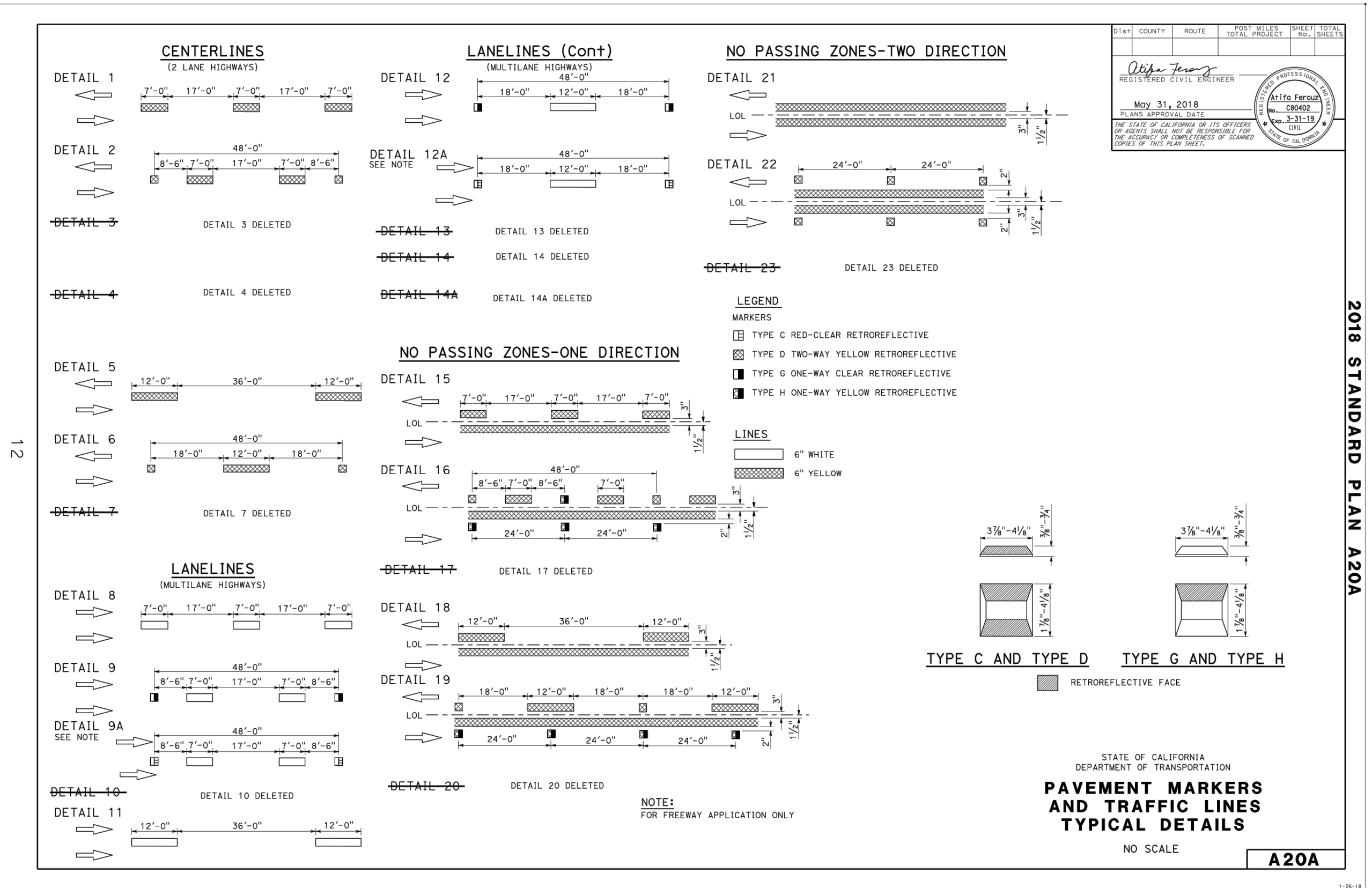
PROJECT: HSIP AND TRAFFIC CALMING PROJECT

SHEET: DETAILS

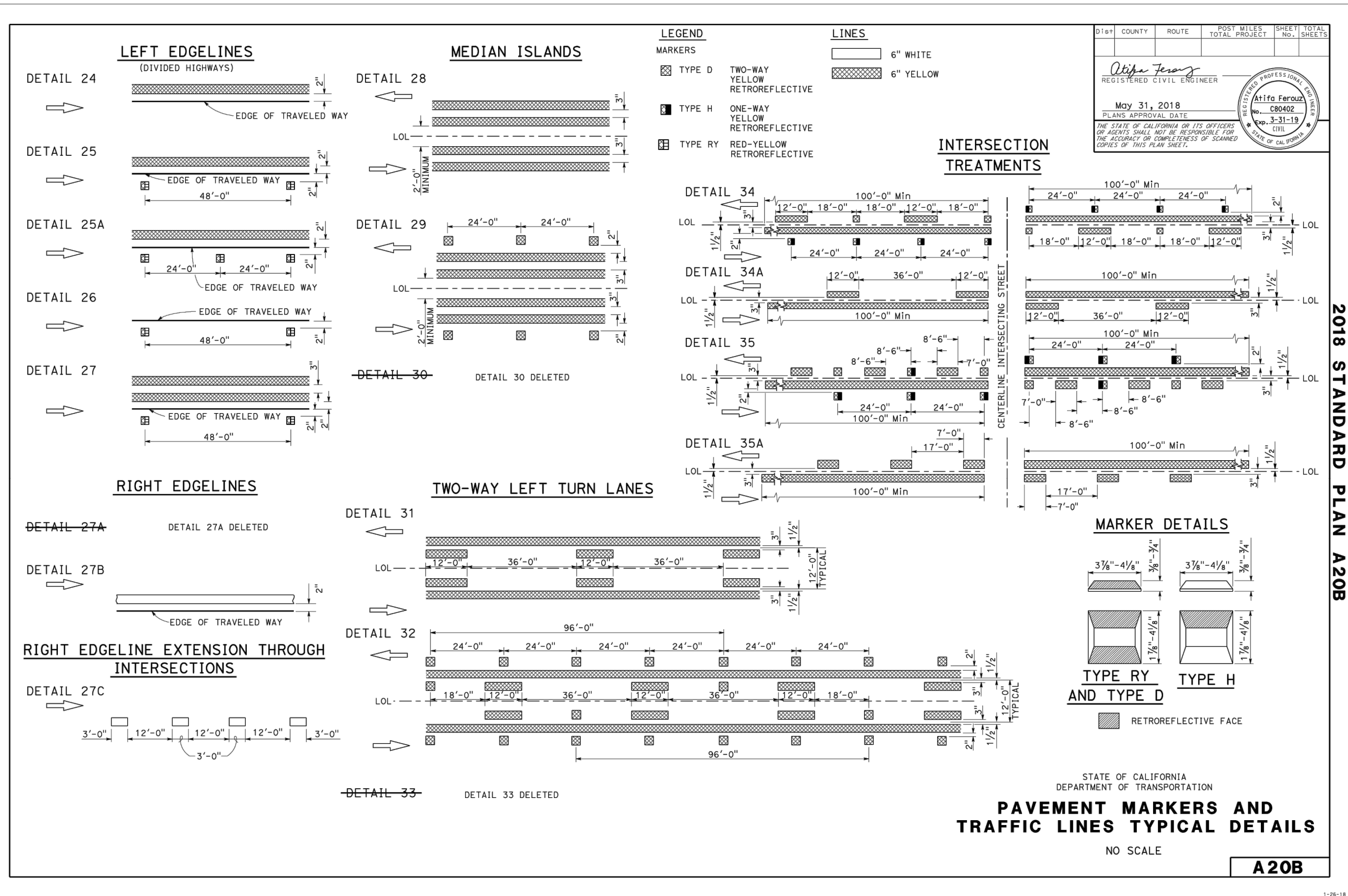
CITY OF ARTESIA
DEPARTMENT OF ENGINEERING



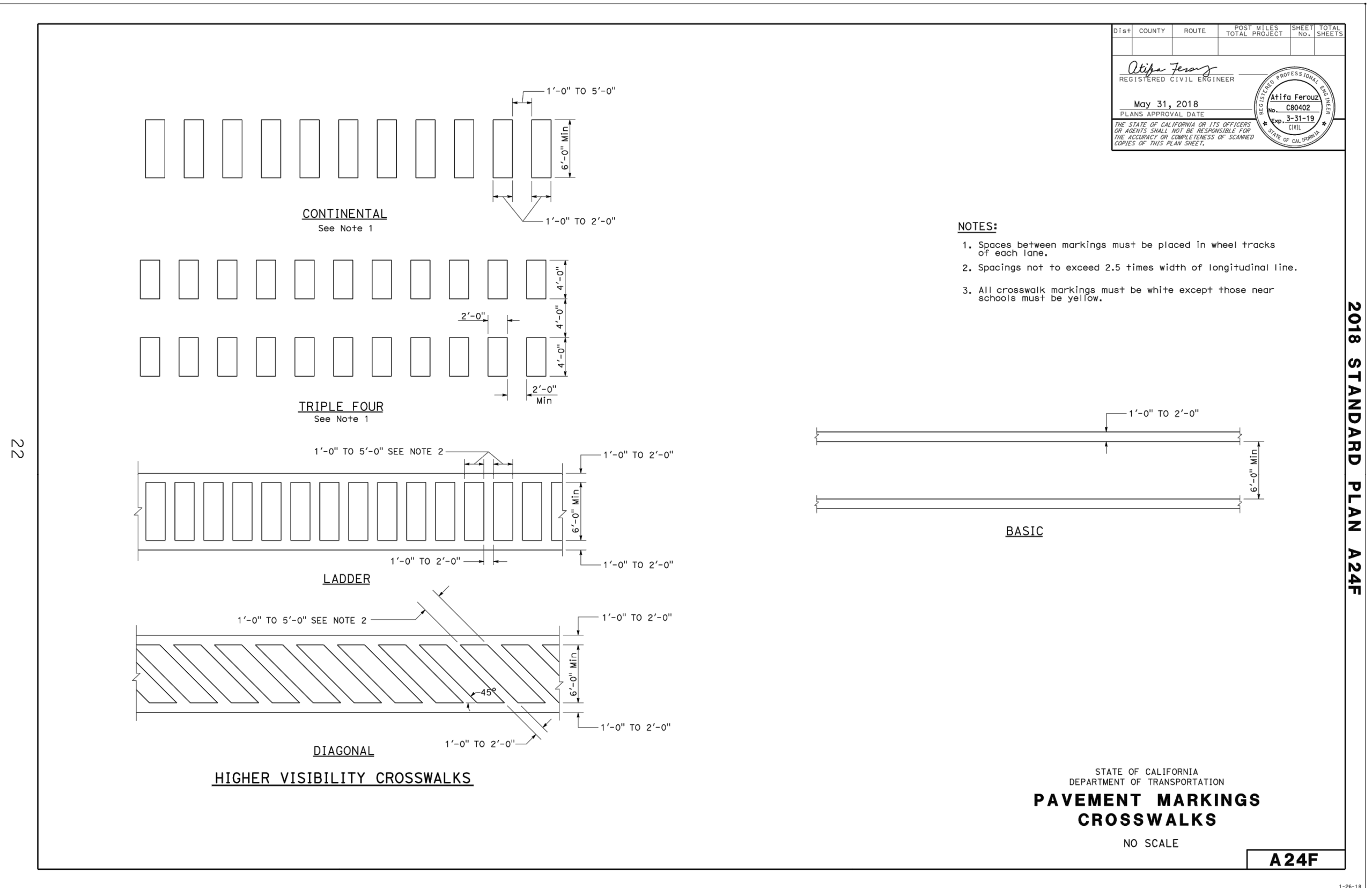
12 CALTRANS STD. PLAN A24D
SCALE: NTS



10 CALTRANS STD. PLAN A20A
SCALE: NTS



13 CALTRANS STD. PLAN A20B
SCALE: NTS



11 CALTRANS STD. PLAN A24F
SCALE: NTS

REVISIONS:

NO.	DATE	DESCRIPTION



PLANS PREPARED BY:
CITY OF ARTESIA, CA
ENGINEERING DIVISION PUBLIC WORKS DEPARTMENT
18747 CLARKDALE AVENUE
ARTESIA, CA 90701
PHONE: 562-865-6262

ERNESTO SANCHEZ
PUBLIC WORKS MANAGER

RON IBARRA, PE
CIVIL ENGINEER

DESIGNED BY:	DATE
R. IBARRA	4/2/2026
DRAFTED BY:	DATE
R. IBARRA	4/2/2026
CHECKED BY:	DATE
E. SANCHEZ	4/2/2026
APPROVED BY:	DATE
A. AVALOS	4/2/2026



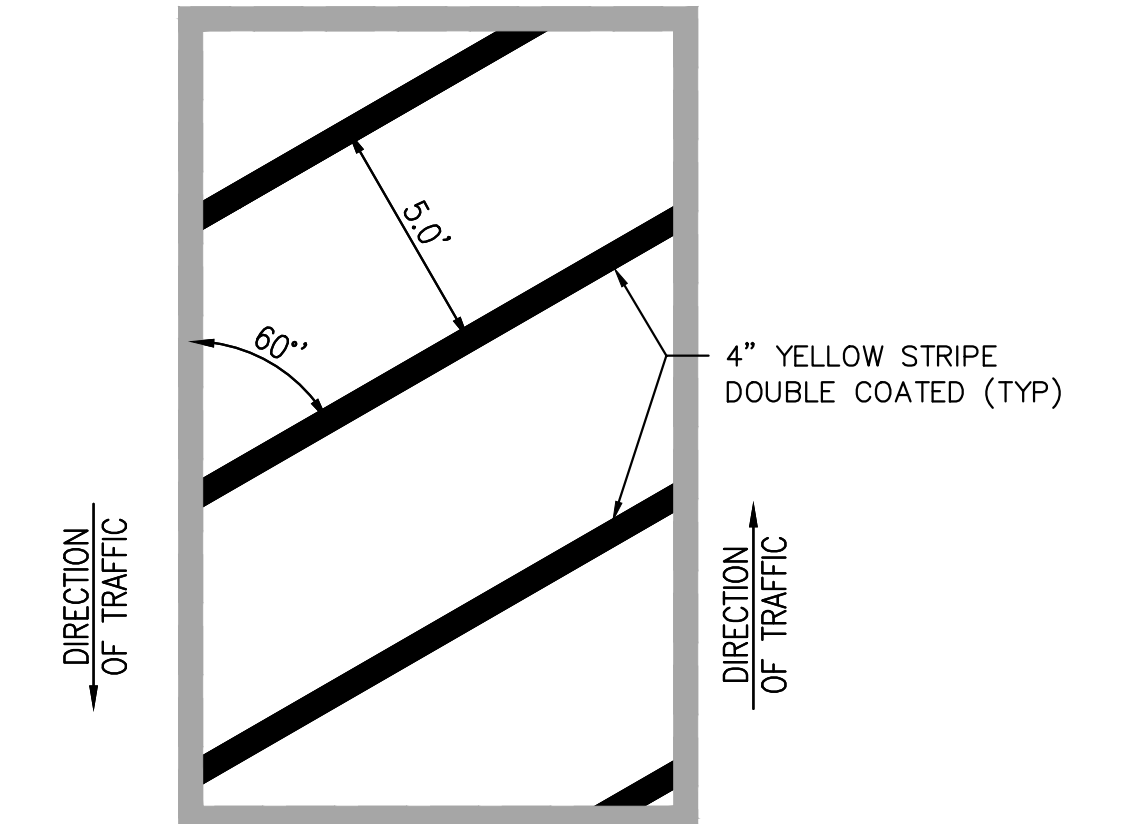
PROJECT: HSIP AND TRAFFIC CALMING PROJECT
SHEET: STRIPING DETAILS
CITY OF ARTESIA
DEPARTMENT OF ENGINEERING



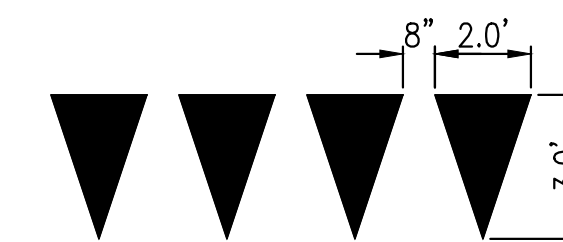
18 24"X24" W17-1 SPEED HUMP SIGN
SCALE: NTS



16 W11-2 WITH ARROW SIGN
SCALE: NTS



14 NO PARKING STRIPING DETAIL
SCALE: NTS



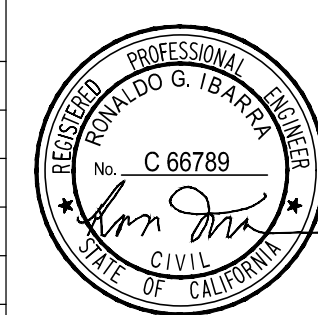
17 YIELD PAVEMENT MARKING
SCALE: NTS



NOTE:
1. THE SIGN SHALL BE REFLECTIVE.

15 24"X24" ROUNDAABOUT SIGN
SCALE: NTS

REVISIONS:		
NO.	DATE	DESCRIPTION

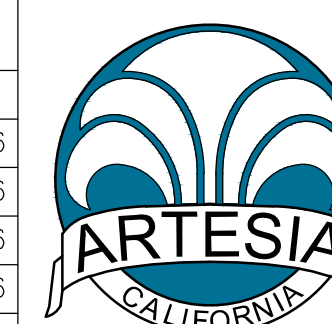


PLANS PREPARED BY:
CITY OF ARTESIA, CA
ENGINEERING DIVISION PUBLIC WORKS DEPARTMENT
18747 CLARKDALE AVENUE
ARTESIA, CA 90701
PHONE: 562-865-6262

ERNESTO SANCHEZ
PUBLIC WORKS MANAGER

RON IBARRA, PE
CIVIL ENGINEER

	DATE
DESIGNED BY: R. IBARRA	4/2/2026
DRAFTED BY: R. IBARRA	4/2/2026
CHECKED BY: E. SANCHEZ	4/2/2026
APPROVED BY: A. AVALOS	4/2/2026



PROJECT: HSIP AND TRAFFIC CALMING PROJECT

SHEET: SIGNING & STRIPING DETAILS

CITY OF ARTESIA
DEPARTMENT OF ENGINEERING

C-22

SHEET NO. 18 OF 18